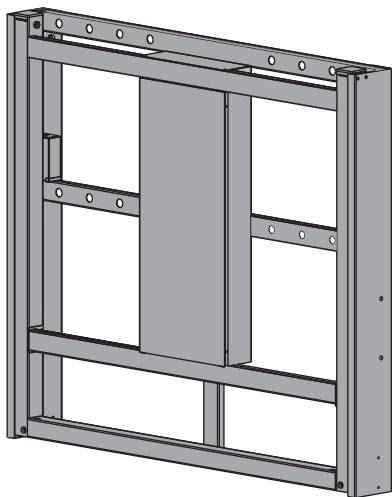


Installation instructions
WM 600 EL TS 200
WM 600 EL TS



IMPORTANT SAFEGUARDS

Please read and follow all safety information contained in this installation guide. Failure to observe the following safety notice may result in serious personal injury or damage of equipment.

Warning

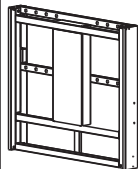
- Please use the system only as intended.
- A qualified person should carry out assembly and installation.
- An adult should supervise the children when they are near the wall mount.
- Two people are required for proper assembly of the wall mount.
- Do not modify any part of the mount system.
- Do not climb on, or hang on the Wall Mount System.
- Connect only to the specified mains voltage.
- Do not operate the wall mount with damaged mains cable.
- If any extension cord is necessary, a cord with a current rating equal at least to the enclosed one.

Caution

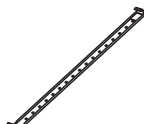
- Always unplug the wall mount from the electrical outlet before cleaning, and servicing it or when the WM is not in use. Never yank the cord to pull the plug from the outlet. Grab the plug firmly and pull to disconnect it.
- Screws for fixing the mount on the wall are not included. For advice on suitable screws and wall inserts, contact your local dealer.



Packaging content



A (1x)



B (2x)



C (2x)



D (1x)



F (1x)

a M6x18



(4x)

b M8x16



(6x)

c 8



(6x)

d 6



(4x)



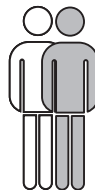
Installation tools



SW 5
6

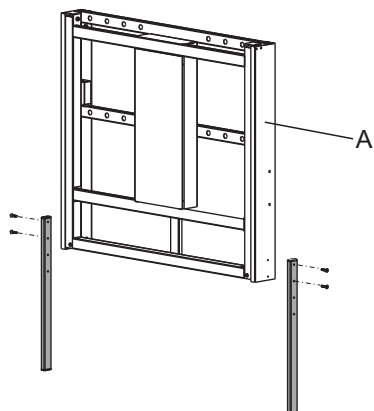


included



1A

Mounting on the wall



- Attach the legs (optional) in the desired position with the screws supplied together with legs.
- Three different settings are possible: 545 mm, 475 mm and 405 mm from the floor.



Caution! Legs are designed as mounting aid and we recommend that you do not remove them after assembly.

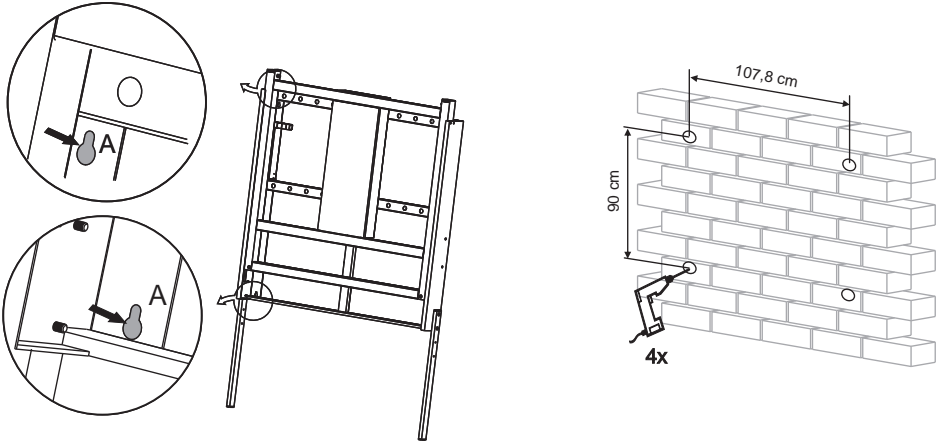
In case the wall mount is mounted on weaker wall structures the legs have to be attached in order to distribute the weight of the mount accordingly.

a.) Concrete wall - use holes A

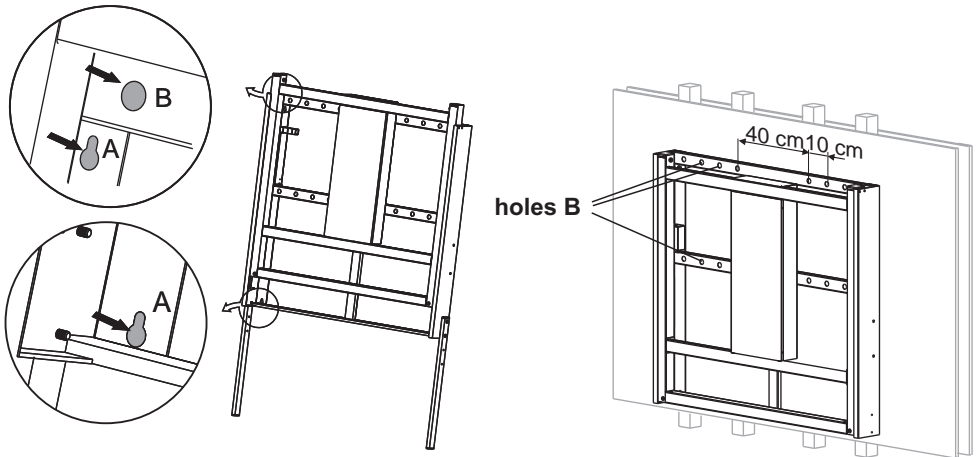


Caution! The screws for fitting on the wall are not included. Select suitable screws and wall inserts according to the type of the wall!

Nominal diameter of the screws should be 8 mm!



b.) Stud / dry wall - use holes A and B



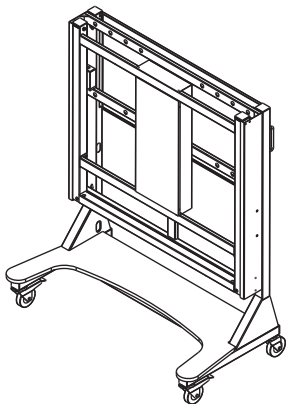
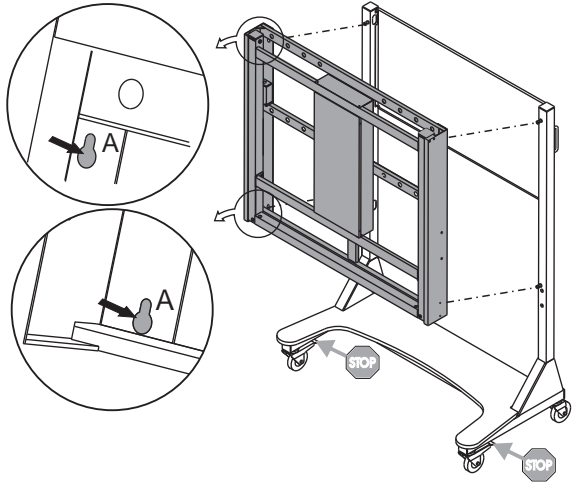
1B

Mounting on a mobile stand



- ❑ Assemble the mobile stand according to the instructions.
- ❑ Insert M8x16 Allen screws supplied together with the stand into upper and lower holes on the both sides of mobile stand.
- ❑ Lock the front caster wheels.
- ❑ Hang the wall mount on the mobile stand.
- ❑ Tighten the screws firmly.

Use four holes A!

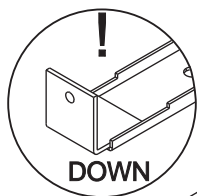


2

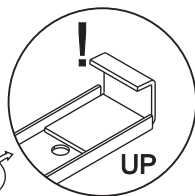
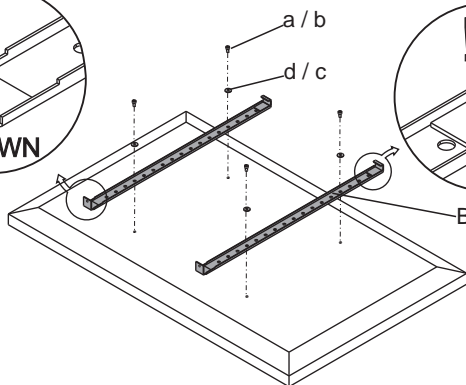


SW 5/6

VESA ≤ 900 x 800

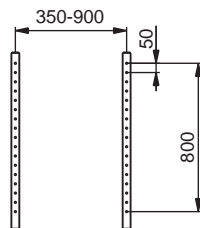


DOWN



UP

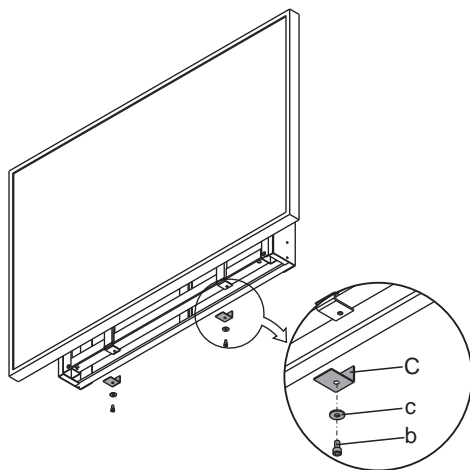
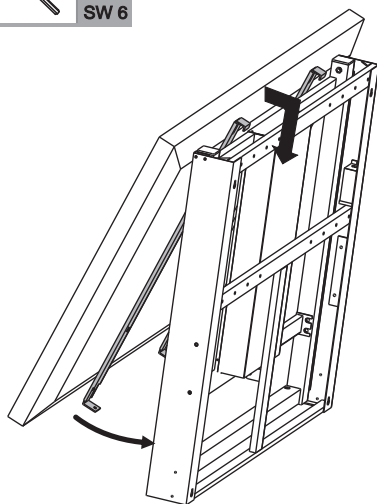
VESA



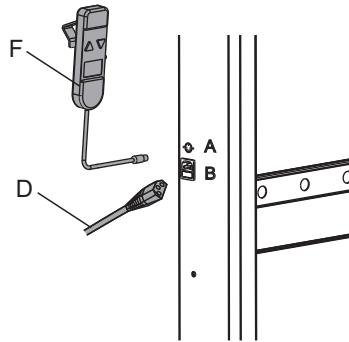
3



SW 6



Operating



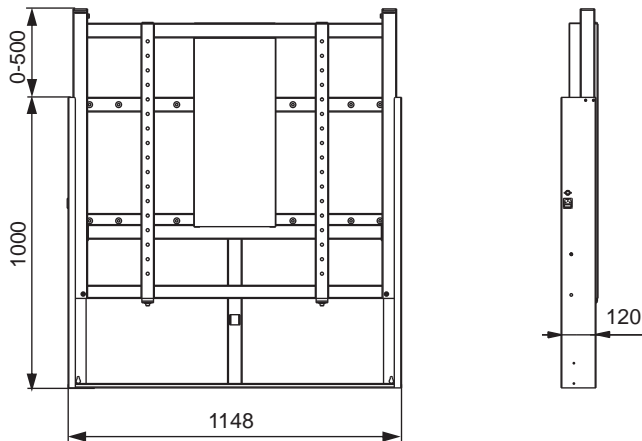
1. Check mains voltage. The mains voltage should correspond to the one specified on the rating plate located on the left side of the frame.
2. Plug the enclosed mains cable into the power socket (B) on the left side of the wall mount frame.
3. Plug the other end of the mains cable in the grounded outlet.
4. Connect the remote control to the socket (A) on the frame.
5. To raise the wall mount press the button ▲ (UP), to lower the wall mount press the button ▼ (DOWN) on the remote control.

Troubleshooting

Lifting function does not work >> Following steps should be taken:

1. Check the power cord for any possible damage.
2. Make sure the power cord is properly into the socket (B).
3. Check the fuse in the main socket. If it fails replace the fuse with the same type as the original (1,6 A for TS and 2,5 A for TS 200).
4. Check the connection between the remote control and wall mount socket (A).

Technical data



Input Voltage: 100-240V, 50/60Hz

Output Voltage: 24V DC

Maximal Load: 80 kg WM 600 EL TS
160 kg WM 600 EL TS-200

VESA screen size: $\leq 900 \times 800$ mm