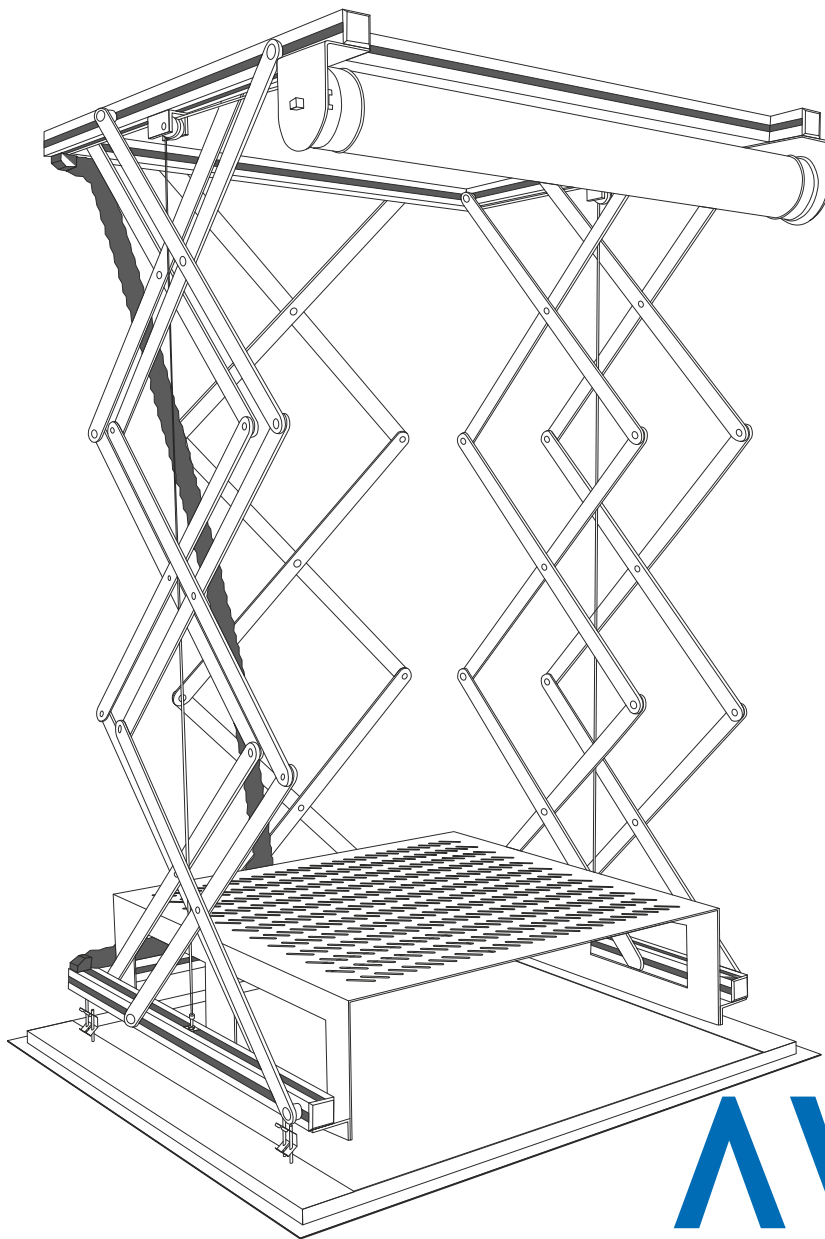


Electric projector lift Avers Simlift XL



AVERS
SCREENS

User's manual



Read these instructions carefully before operating the lift.

Dear Customer,

Thank you very much for the purchase of our product. The manual booklet contains all operation information you may require to install properly and operate the lift. We hope it will help you to get the most performance and enjoyment of your new projector lift. Enjoy time with the **Avers Screens** product.

SAFETY INFORMATION

NOTICE: Important safety information.

Follow the instructions described in the operating manual for safety reasons. After reading the manual, please store it in a safe place just in case you need it in the future.

NOTICE: THE DEVICE HAVE TO BE EARTHED.

WARNING:

- 1) Disconnect the device from the power supply if it will not be used within longer period of time.
- 2) Do not open the casing of the device in order to avoid possible electric shock. There are not any user operated parts inside the case of the screen. All service work can be done by Avers Authorized Service Center personnel only.
- 3) Do not remove the Ground pin from the power outlet neither connect the device to the socket without the Ground pin. If you can't put the plug to the power outlet, please ask electrician for assistance.

Table of contents:

1. Safety rules
 - 1.1. Declaration of Conformity CE
 2. Product specification
 - 2.1. Contents of package
 - 2.2. Technical data
 3. Lift installation
 - 3.1. Installation directions
 - 3.2. Lift installation at the ceiling
 - 3.3. Electric installation
 - 3.4. Programming
 4. Lift operation
 - 4.1. Manual operation
 - 4.2. Before asking for service
 5. Warranty conditions
- Appendix A



1. SAFETY RULES

SAFETY INFORMATION

NOTICE: Important safety information. It is important for the safety of persons to follow these instructions. After reading the manual, please save it just in case of need in the future

- Do not allow children to play with the fixed controls (remote control).
- Keep the remote control unit out of reach of children.
- Frequently examine the lift installation for imbalance and signs of wear or damage to cables. Do not use if repair or adjustment is necessary.
- Watch the moving lift and keep the people away until the lift is completely rolled in/out. It will help to avoid injuries caused with moving screen.
- Do not put fingers or any objects between lift's scissor arms during lift operation. Serious injury including disability danger and/or lift damage.
- Do not attach any objects to the lift's moving devices. Lift damage and/or person injury danger.
- All installation work should be carried out by the qualified technician.
- Improper installation of the lift can cause device damage or health breakdown.
- Do not do anything that may damage the power cable or power plug.
- Do not damage the power cable. The following operations with the power cable are not allowed: making any modifications by your own, putting it near the hot objects, bending it strongly, twisting it, pulling it out, putting the heavy objects on it, wrapping it into the bundle.
- Operation of the lift with damaged power cord can result with electric shock, electric short circuit and fire.
- Do not touch the power cable, wall switch nor the power plug with wet hands.
- Always follow the instructions described in the operating manual.

1.1. Declaration of Conformity CE

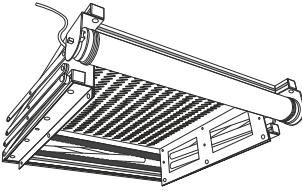
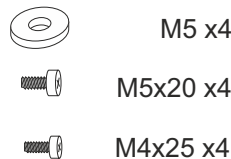
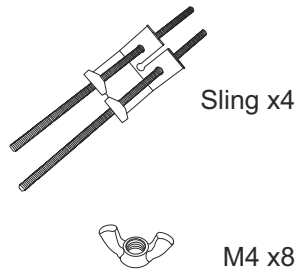
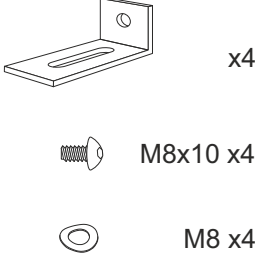
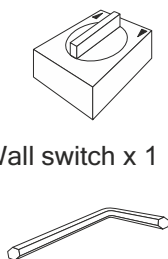
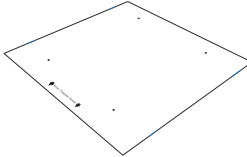
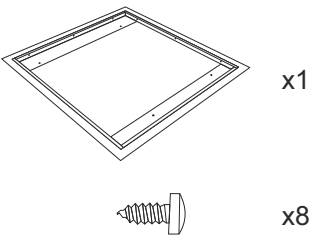
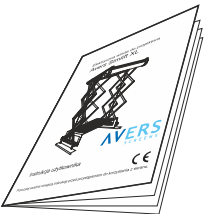
Avers Screens Sp. z o.o. Al. Jerozolimskie 424A 05-800 Pruszków, Poland	AVERS SCREENS
Manufacturer's Declaration of Conformity CE No. 1E/2017	
Under it's own responsibility declares:	
All screens and accessories mentioned below are manufactured in Poland according to the essential safety requirements of the Council Directives: Safety Directive 2001/95/WE with further updates, LVD Directive 2014/35/EC and EMC Directive 2014/30/EC	
Projection screens series : Stratus 2, Stratus 2 Tension, Akustratus 2, Akustratus 2 Tension, Cumulus X, Cumulus X Tension, Solar, Solaris, Solaris Tension, Contour, Contour Tension, Cirrus X, Nimbus Projector brackets: Alumount, Promount, SimpleMount, Shortmount, Simlift Projector lifts: Simlift, Simlift XL, Simlift HC Remote control system series: ALFA (IR, Radio, Trigger i Trigger Wireless), BETA, +DELTA	
The above mentioned products are in conformity with the following norms harmonized with the directives:	
PN-EN 55014-1:2012 PN-EN 60335-1:2012 PN-EN 61000-3-2:2014 PN-EN 61000-3-3:2013 PN-EN 60335-2-97:2007	
	Paweł Zieliński Pruszków 2017.01.05
	

2. Product specification

Electrically operated projector lift designed for fixed installation at projection systems for business presentations and/or home cinema applications. Allows hidden projector installation in rooms with recessed false ceiling, inside other architectural elements or furniture. Lifts offer wide operating range with possibility to setup it according to current requirements. Compatible with all Avers remote control systems for comfortable operation.

2.1 Contents of packaging

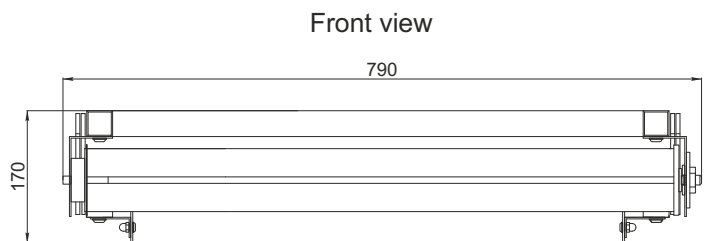
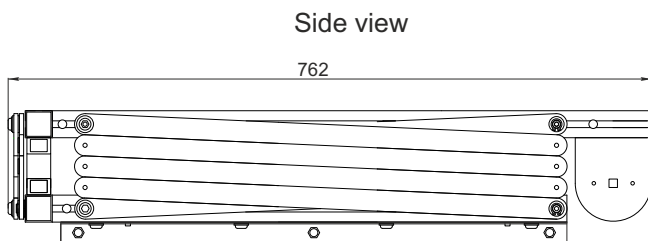
Please check carefully if any physical damage of the screen has not happened during transportation. Please inspect the package for all accessories presented below:

 <p>Lift x 1</p>	 <p>Installation accessories</p>	 <p>Installation accessories</p>	 <p>Installation accessories</p>
 <p>Wall switch x 1</p> <p>Motor regulation wrench</p>	 <p>Installation template</p>	 <p>Ceiling tile frame</p>	 <p>Operation manual x 1</p>

2.2 Technical Data

Dimensions of projector lifts.

Lift Model	Operating range [mm]	Total height (Lift at top position) [mm]	Lift dimensions [mm]	Covered range of projector fixing wholes [mm]
Simlift XL	1200	170	790 x 762	510 x 510



Projector weight: up to 30 kg
 AC Electric tubular motor:
 Voltage: 220-240V AC 50 Hz, 160 W
 Rotation speed: 15 /min
 max. operation time¹⁾ 4 min

Power consumption: 0,7A
 Torque: 20 Nm

¹⁾Engine single cycle operation time, operation cycle can be repeated in 20 minutes intervals.

3. Lift installation

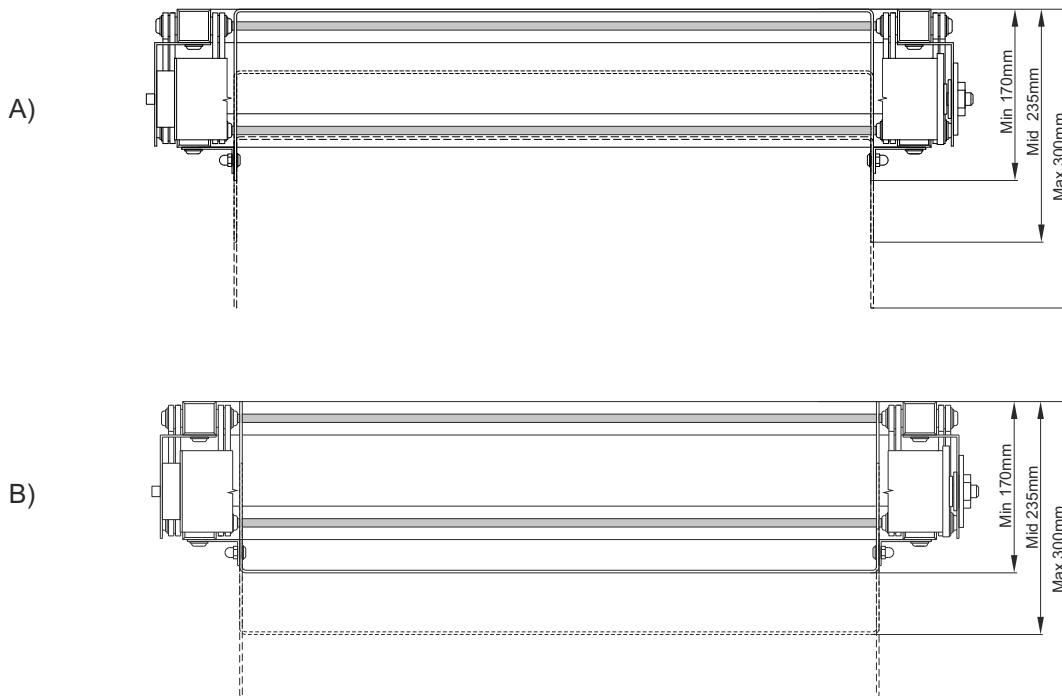
3.1. Installation precautions

- Installation work should be carried out by a qualified technician or at least in accordance with the instructions described below.
- Fixed installation of the lift should be done with use of the screws and anchors suitable for the local ceiling's construction materials.
- Check carefully after lift installation and before first operation nor the lift elements, nor the installed projector will not collide with the recessed ceiling hole during lift operation.

3.2 Lift installation at the ceiling

- Choose lift shelf installation method suitable for your projection system. See picture 1 for possible ways of installation.

- Normal method of lift installation shelf (Lift is assembled at Normal Min position as the factory standard). Projector is fixed to the shelf at upside down position. When the distance between ceiling and false ceiling is bigger than 235mm or 300mm lift shelf would be installed at Mid or Max positions.
- Upside-down method of lift installation shelf (lift shelf must be turned upside-down during lift installation). Projector would be placed on the shelf in desktop position or fixed under the shelf at upside-down position. Lift installation shelf would be fixed to the lift at positions Min. Mid or Max. depending on the installation requirements.

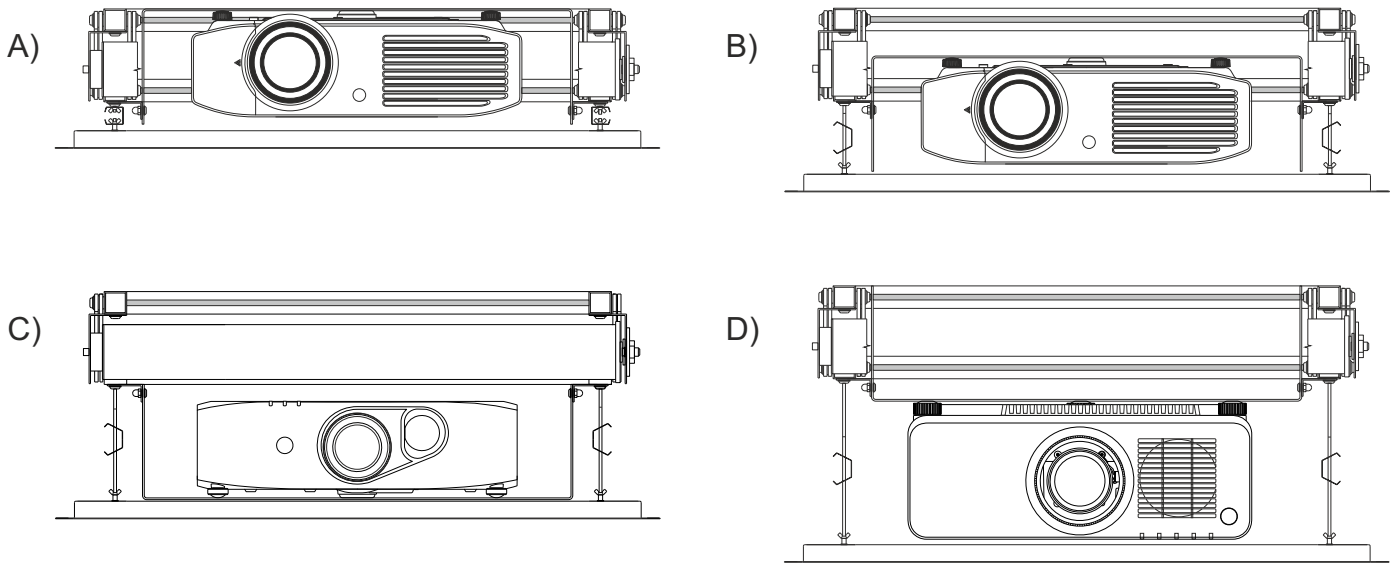


Pic.1 Possible lift shelf installation methods

- Choose method projector will be fixed to the lift's shelf. See picture 2 for possible projector installation methods.

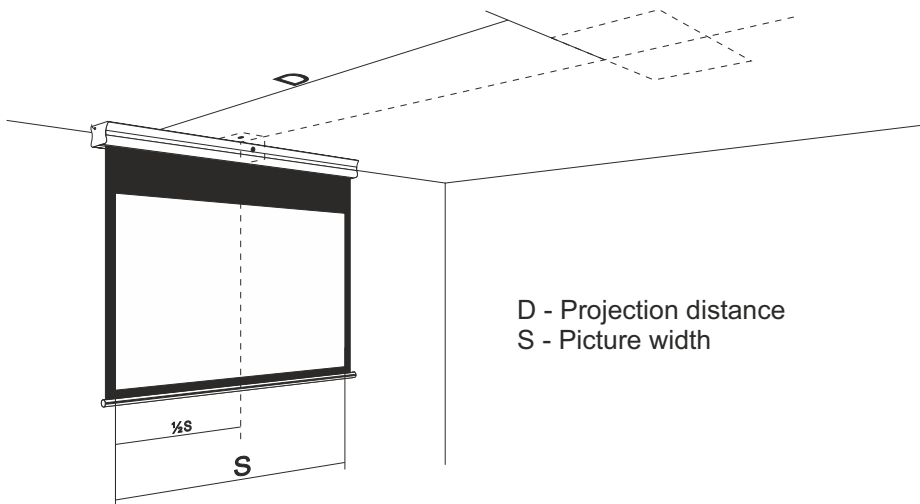
- Installation method recommended for home cinema and business presentation installations where distance between ceiling and false ceiling is small. Lift installation shelf is installed at „Normal Min” position so, lift with projector set would be installed at area of 20cm height only.
- Installation method recommended for installations with bigger amount of space between ceiling and false ceiling. Lift installation shelf is installed at „Normal Mid” position. Projector lift installed this way offers full operating range and safe and stable fixing to the real ceiling. Free distance remaining between real ceiling and the top of lift's installation shelf would be utilised to install remot control system controller.
- Installation method recommended for installations with large amount of space between ceiling and false ceiling. Lift installation shelf is installed at „Upside-down Max” position, projector is placed on top of the installation shelf.

D) Installation method recommended for projectors with very large casings. Lift installation shelf is installed at „Upside-down Min” position, projector is fixed under the installation shelf.

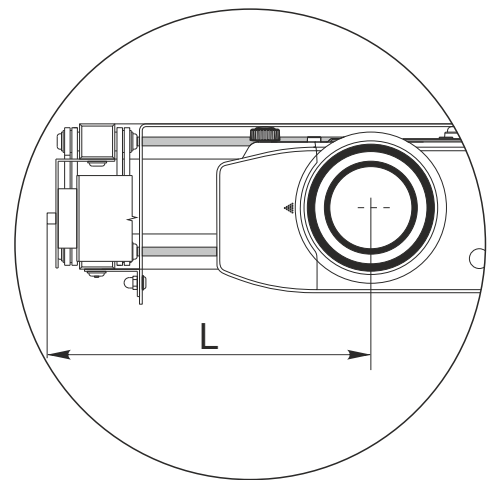


Pic.2 Possible projector installation methods

- Define location of the hole in the recessed ceiling lift will be installed at. Projector installed at the lift will be ejected through during projection. Dimensions of the hole must follow the dimensions of the installed projector and/or the dimensions of the ceiling tile frame (in case it will be used). Distance between the screen and the hole is determined by the planned projection distance (see picture 3).
- Fix projector to the lift's shelf temporary (use screws and washers supplied with the lift).
- Survey distance between the lens optical axis and the left lift edge (see picture 4).

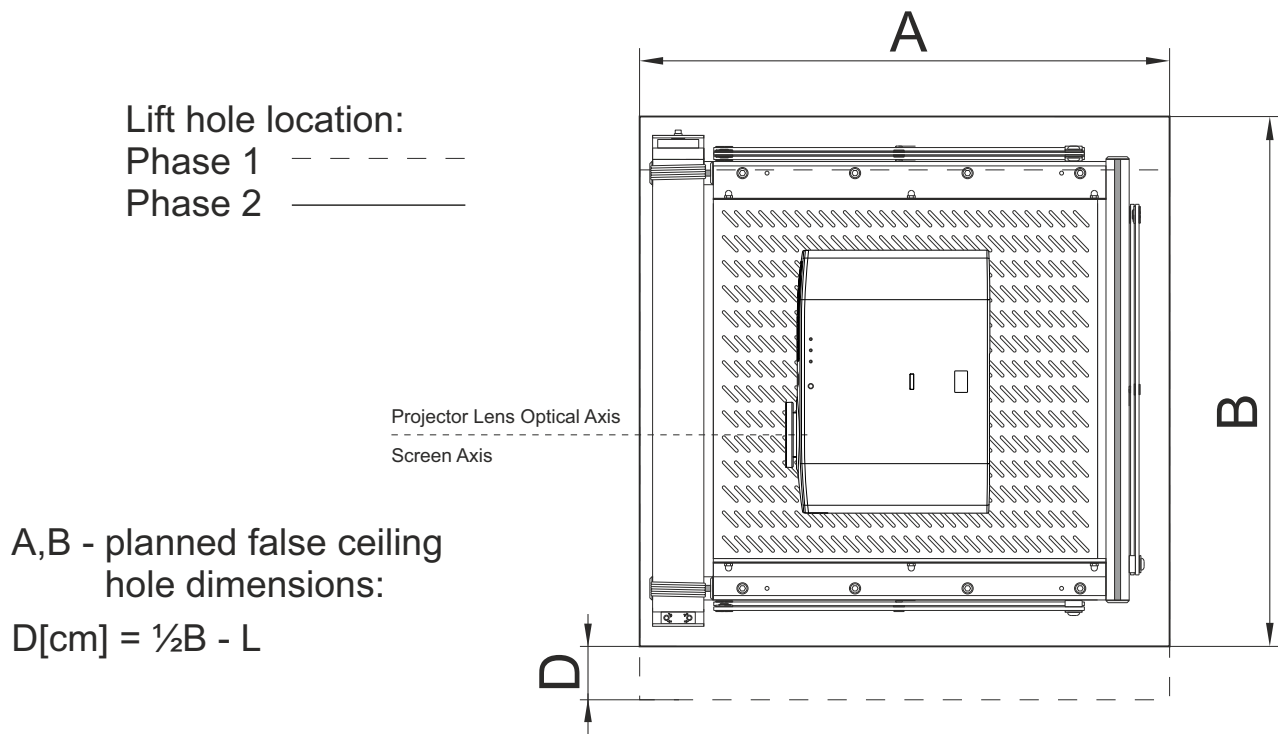


Pic.3 Mapping out location of the lift - phase 1



Pic.4 Lens optical axis to lift's left frame edge survey

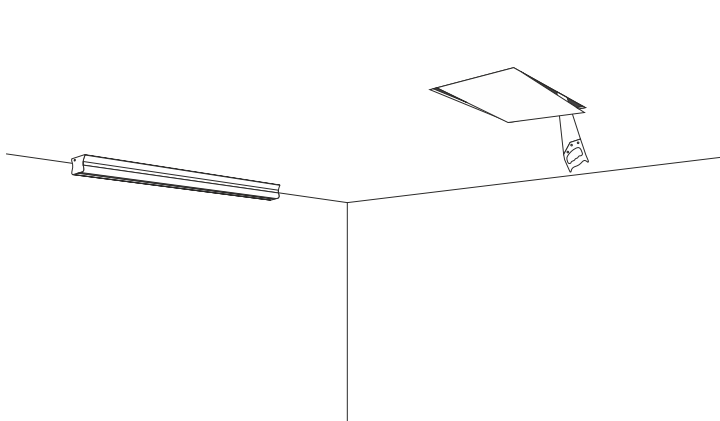
- Determine final location of the lift hole at the false ceiling. Shifting of the false ceiling hole position to the left or right side would be required depending on the design of installed projector. The lift hole localization at the false ceiling must provide, that the installed projector lens optical axis will be perpendicular to the screen surface and will cross the screen at the middle of screen width. (see picture 5).



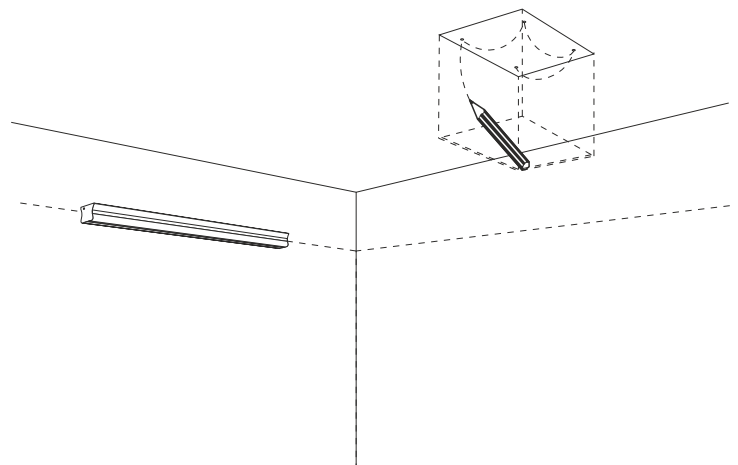
Pic.5 Mapping out location of the lift - phase 2

- Cut off the hole in the false ceiling (see picture 6). Cutting edges should be straight and accurate, cut tile will be used to mask lift's shaft hole, when the lift will be at upper position.
- Check ceiling surface located just over the cut hole for bumps and level, your lift will be fixed there. Eliminate recognized problems when possible, other problems and improper ceiling leveling would be fixed during lift installation by use of spacers (not included at lift's set).
- Appoint location of holes for the anchors fixing lift mechanism to the real ceiling. Use installation template supplied with the lift (see picture 7) .
- Drill holes in the ceiling at appointed locations, place anchors at drilled holes (see picture 8)
- Fix temporary lift with anchor screws (see picture 9).
- Check if lift frame sides are parallel with false ceiling hole edges, it is required for proper lift operation (see picture 10). Release screws fixing lift's ceiling brackets to the frame to fine tune lift position. Once lift will be positioned correctly tight bracket fixing screws and lift's anchor screws .
- Check lift leveling, use lift's frame as survey base. Fine tune lift levelling if needed by placing objects like washers between lift frame and ceiling surface.

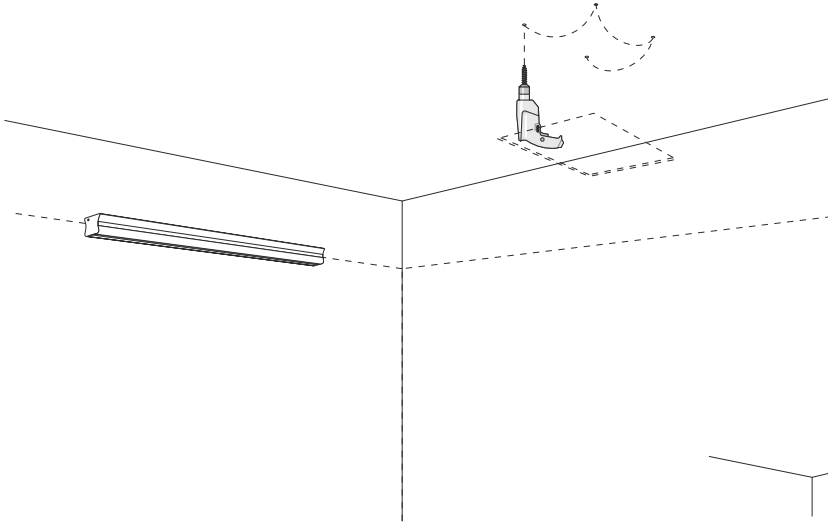
!!! CAUTION !!! Recommended diameter of lift fixing anchor's screws $\varnothing 8$ mm.



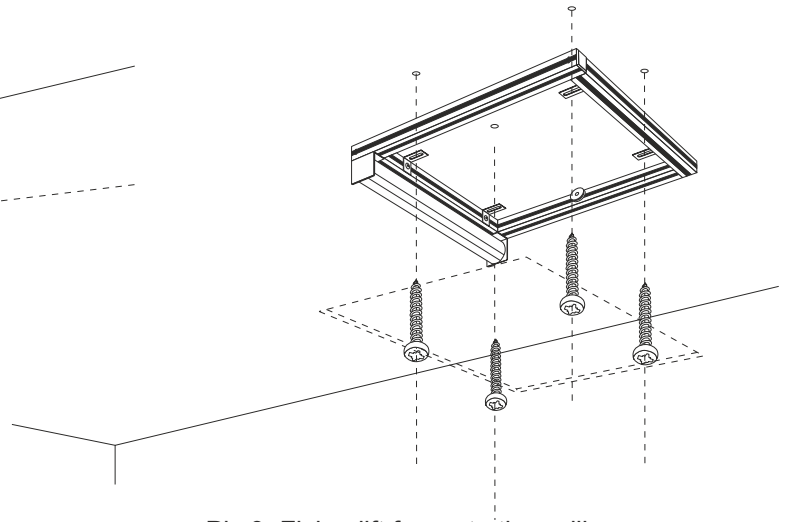
Pic.6 Cutting hole at false ceiling



Pic.7 Appointing location of anchor holes with template



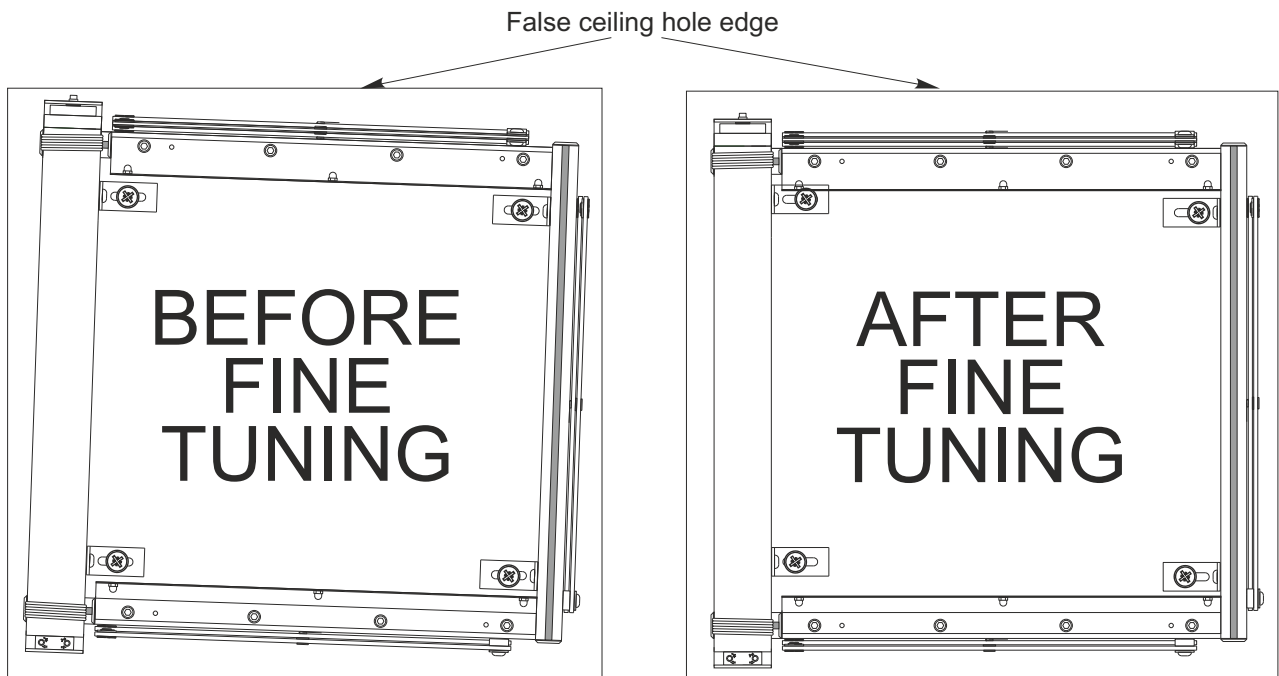
Pic.8 Drilling holes in the ceiling



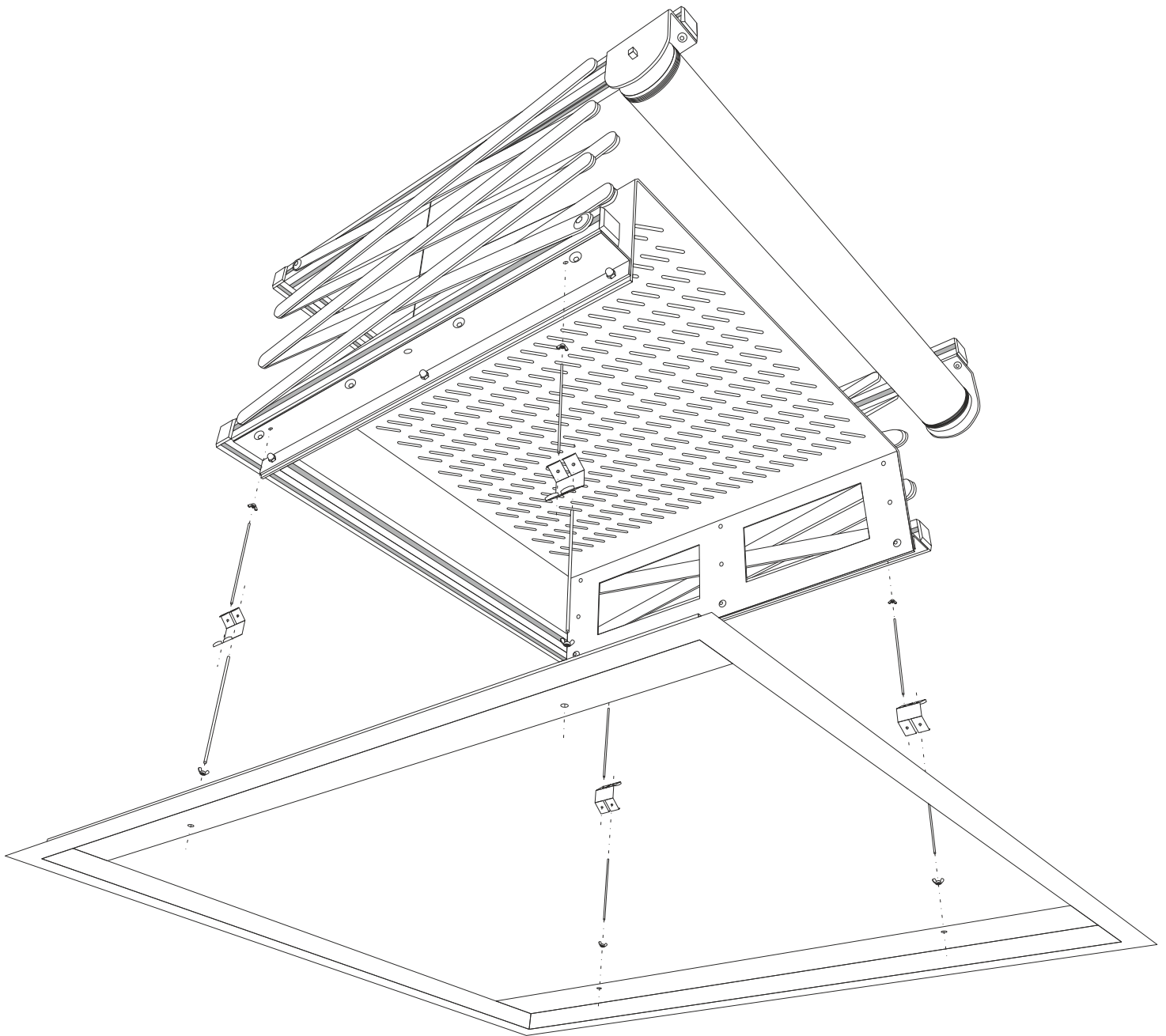
Pic.9 Fixing lift frame to the ceiling

- Fix frame supporting ceiling tile to the lift's shelf profiles with slings (see picture 11). Hug the spring and move threaded steel rods to modify sling length so, the ceiling tile frame fixed to the lift's shelf will match false ceiling surface when lift stops automatically at top position.
- Fix projector to lift's shelf. Set of screws and washers supplied with the lift allows to fix nearly each projector.
- Lead projector's power and signal cables inside plastic chain guide located at back side of the lift. Place cables inside the chain track by pushing them inside with thumb through dedicated cuts located on top of the track chains.

In case there is lightweight segmented false ceiling installed at your location installation of the Simlift lift will vary depending on the size of false ceiling tiles. When the ceiling tile dimensions are bigger than size of the lift's ceiling tile frame lift should be installed over the ceiling tile. When any of ceiling tile dimensions is smaller than lift's frame existing false ceiling truss should be modified just below planned place of lift installation. Additional frame under planned lift shaft should be added. Projection screen, lift and projector would be installed at correct configuration. We understand correct configuration of 3 devices as configuration which will guarantee best quality of picture reproduction to be reached with those devices.



Pic.10 Lift at false ceiling hole view before and after loation finetunning



Pic.11 Installation of ceiling tile fixing frame with dedicated slings

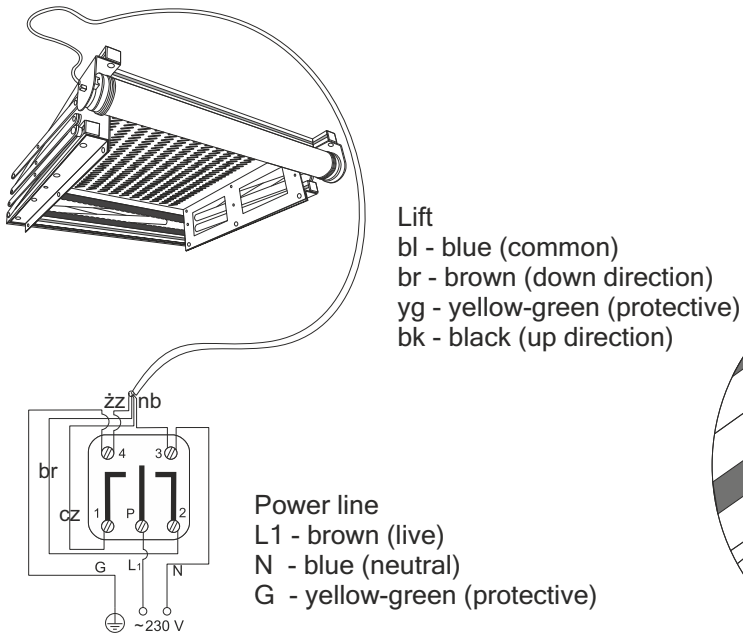
!!! ATTENTION !!!

Your projector will operate (cool down) and will be stored at space between ceiling and false ceiling. Keep this space clean and tidy (remove dust and other pollutions generated during lift installation) to secure reliable and fail-safe projector operation.

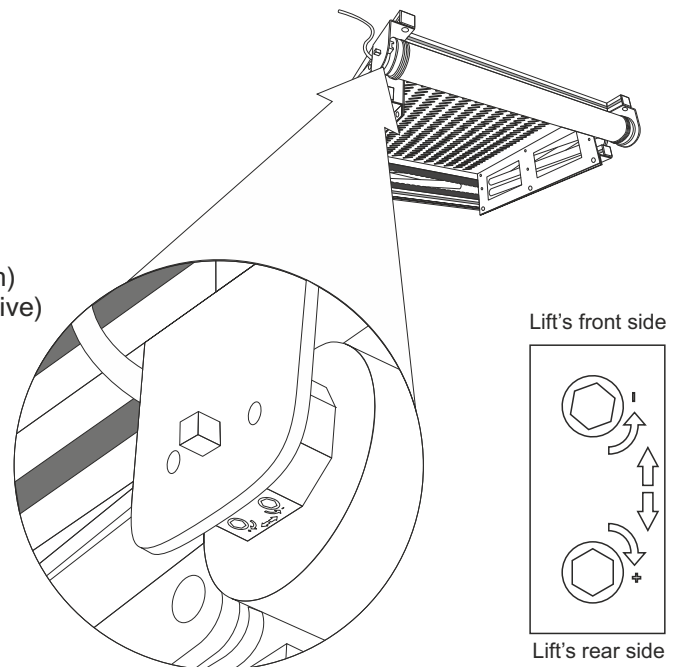
3.4 Electric installation.

Caution: Electric installation of the lift should be performed by an authorized electrician.

- Lead out the power cables to the place of installation of the wall switch and between wall switch and lift.
- Lift power line should be fused with 1A fuse.
- Switch off the lift power line during installation work
- Manual wall steering switch should be installed at the place meeting the following conditions:
 - a) installation 150-180 cm above the floor level,
 - b) the lift should be visible by the wall switch operator during the lift operation,
 - c) wall switch operator cannot stay in reach of any of the lift's moving parts during the lift operation .
 - d) the wall switch must be visible from the each part of the room irrespective of the lift position.



Pic. 12 Lift electric installation



Pic.13 Lift Programming

3.5. Lift programming.

Avoid lift programming without important reason. The lift upper and bottom stop points were set at the factory to cover the maximum lift operating range. Lift must be re-programmed if you intend to lower the top stop point or move up the bottom stop point.

Programming of the lift Bottom Automatic Stop Position.

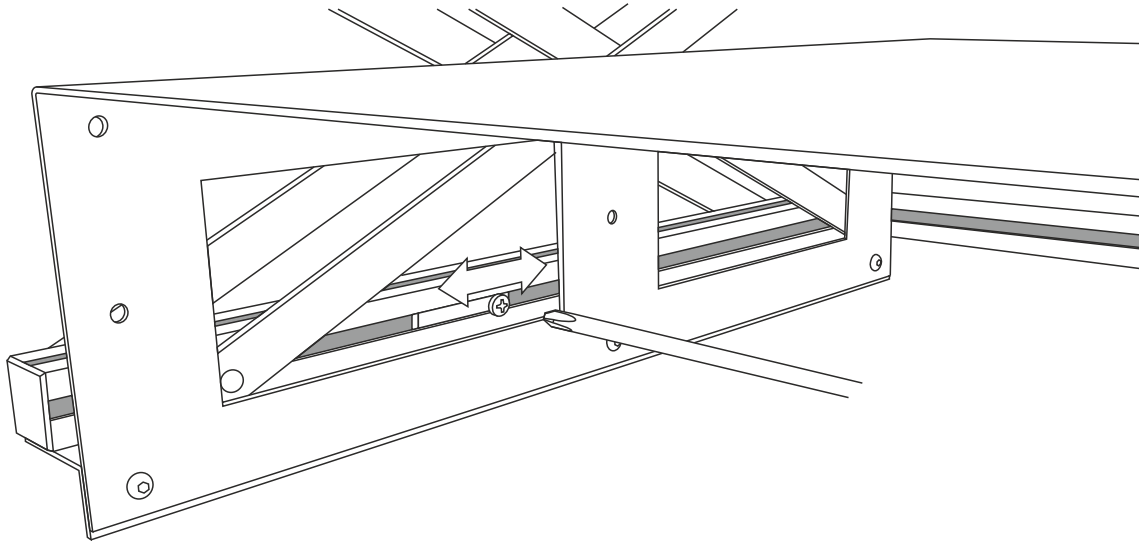
- Programming knob located closer to the lift's front side allows programming of the lift's Bottom Automatic Stop Position (see picture 13). Turn the knob counter clock-wise ("-" direction) to stop the lift shelf at higher position. Knob operation cannot be performed when the lift remains at bottom position.
- Once the knob position was changed switch the lift's motor on "▼" and observe point the lift will stop automatically.
- Repeat actions described above until desired bottom stop position will be setup.

As soon as new Bottom Automatic Stop Position is programmed we recommend to change accordingly position of lift's operating range lock. There are two locks located at right and left sides of the projector shelf.

- Release lock blocking screw with screwdriver (see Picture 14), move lock to the new position and fix again blocking screw.

Programming of the lift Top Automatic Stop Position.

- Programming knob located closer to the lift's rear side allows programming of the lift's Bottom Automatic Stop Position (see picture 13). Turn the knob counter clock-wise ("-" direction) to stop the lift shelf at lower position. Knob operation cannot be performed when the lift remains at top position.



Pic.14 Lift's operating range lock finetuning (lift left side view)

- Once the knob position was changed switch the lift's motor on "▲" and observe point the lift will stop automatically.
- Repeat actions described above until desired bottom stop position will be setup.

Avoid to overstress the lift steel rope during when programming the lift upper stop position, it could damage the lift .
 Avoid to leave the lift steel rope slack after programming of the lift bottom stop position, if so the rope would tangle and the lift will be blocked.

4. Lift operation

Projector lift AVERS Simlift XL can be operated manually or automatically (if the optional Avers or 3-rd party control system will be installed).

4.1 Manual operation

Manual lift operation is possible with the wall control switch.

- Push button „▼”, the lift will begin to move down and stop automatically at the bottom stop position.
- Push button „▲”, the lift will begin to move up and stop automatically at the top stop position.

4.2. Lift maintenance

Projector lift Avers Prolift do not require periodical service maintenance. Clean dust from the lift with dry soft cloths. If needed use moisturized cloth with soft detergent to remove stains. After stain removal dry the cleaned surface with cloth carefully.

4.3. Before calling the service

Symptoms	Reasons	Remedy
The lift does not operate up/down	Power failure	Check the lift's circuit fuse and the power cable
Lift stops operation in the middle position.	Power failure	Check the lift's electric connection and power supply cables.
Lift's motor does not stop operation after reaching terminal stop position.	Wrong stop position setup	Check the propriety of electric installation and the state of the power wires.

At other cases please contact service.

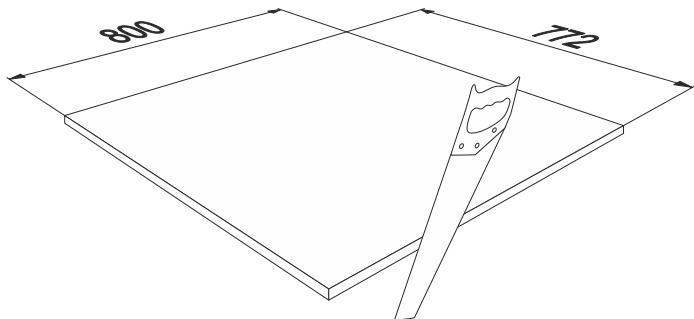
5. Warranty conditions

- 1) Avers Screens warranty period is 24 months from the date of purchase confirmed with the original purchase invoice.
- 2) Extended warranty period for electric engine is 60 months.
- 3) Surety commits to fix free of charge any failures (component or production defects) of the product which appear during warranty period.
- 4) Warranty exclusions :
 - a) the failures caused by the usage of the lift against the rules described in operation manual,
 - b) the failures caused by improper storage or transportation,
 - c) mechanical defects of the lift other than mentioned at point 3),
 - d) damages caused with overvoltage at power network,
 - e) de-installation and reinstallation of the lift.
- 5) Avers Screens Service department will remove all defects within 21 days after receiving the damaged product.
- 6) Warranty claims should be passed to the lift supplier (dealer).

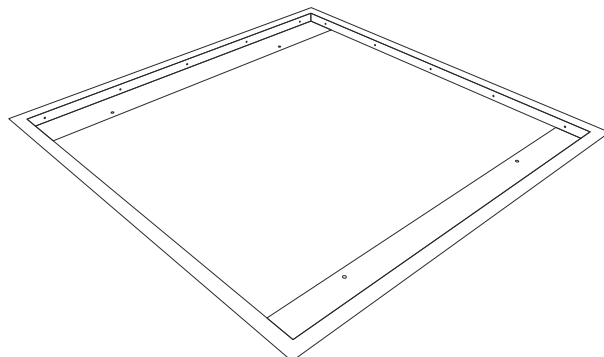
Appendix A

Cover masking lift shaft - assembly

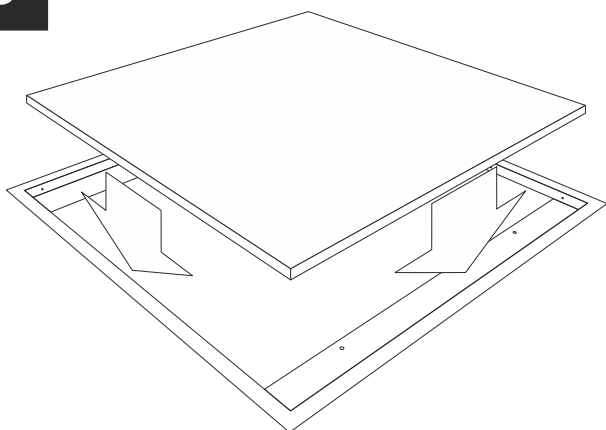
1



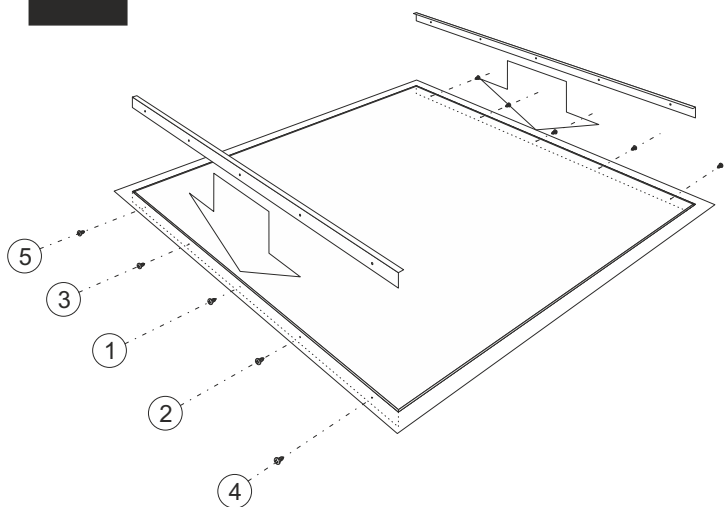
2



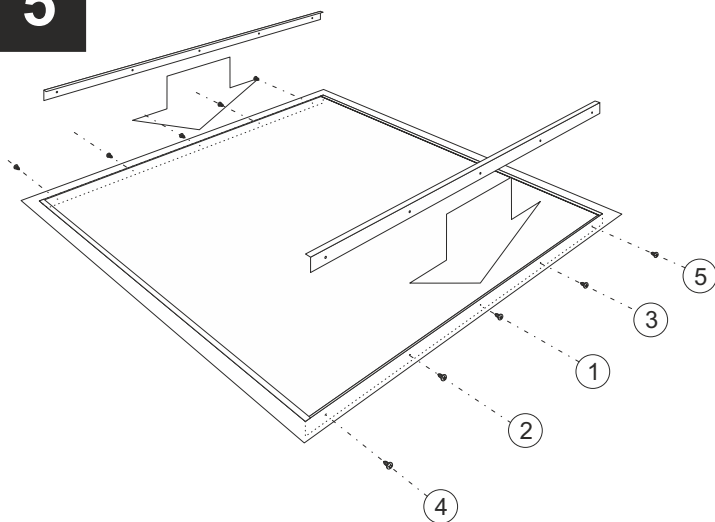
3



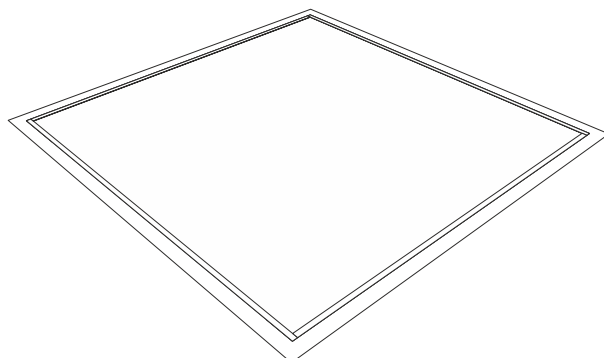
4



5



6





Manufactured after 13.08.2005

This symbol on the products and/or accompanying documents means that used electrical and electronic products should not be mixed with general household waste. Disposing of this product correctly will help to save valuable resources and prevent any potential negative effects on human health and the environment which could otherwise arise from inappropriate waste handling. Please contact your local authority for further details of your nearest designated collection point.

Wersja 01.02.2017