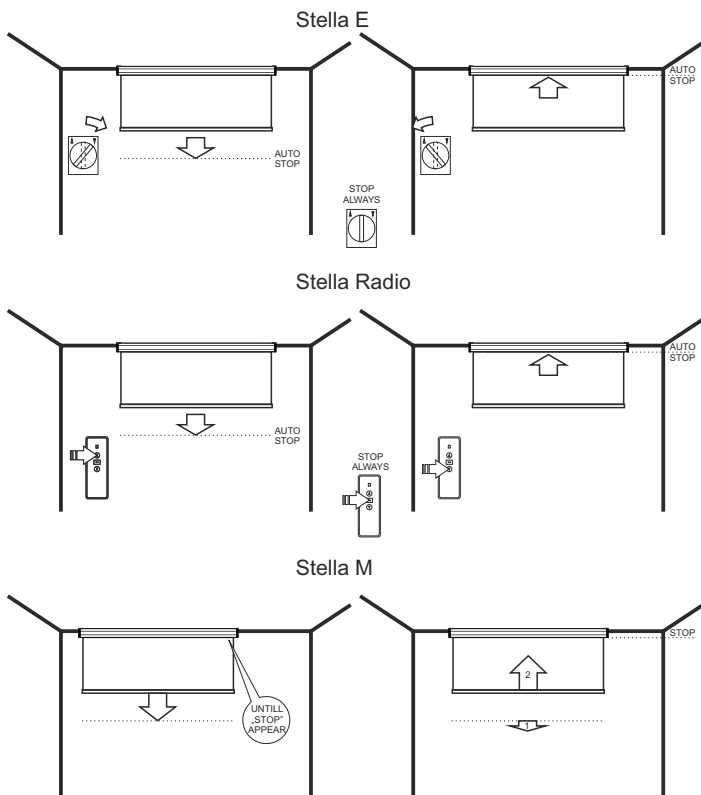
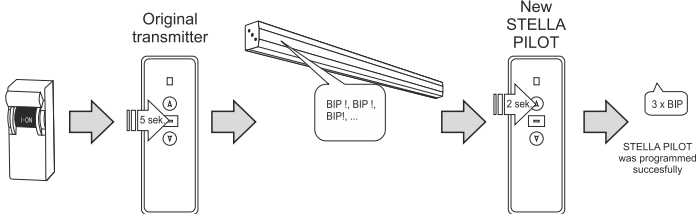


## 5. Screen operation



## 6. Programming of an optional STELLA PILOT transmitter

!!! Caution !!! Transmitter supplied with the STELLA-Radio screen was programmed at factory



Manufactured after 13.08.2005  
This symbol on the products and/or accompanying documents means that used electrical and electronic products should not be mixed with general household waste. Disposing of this product correctly will help to save valuable resources and prevent any potential negative effects on human health and the environment which could otherwise arise from inappropriate waste handling. Please contact your local authority for further details of your nearest designated collection point.

Wersja 04.02.2017

## 1. CE declaration of conformity

**AVERS**  
SCREENS

**Avers Screens Sp. z o.o.**  
Al. Jerozolimskie 424A  
05-800 Pruszków, Poland

**Manufacturer's Declaration of Conformity CE No. 2E/2017**

**Under it's own responsibility declares:**

All screens and accessories mentioned below are manufactured in Poland according to the essential safety requirements of the Council Directives: Safety Directive 2001/95/WE with further updates, LVD Directive 2014/35/EC and EMC Directive 2014/30/EC

Projection screens: Stella E, Stella Radio, Stella M  
Projection screen bundles: Stella E + Mount, Stella Radio + Mount, Stella M + Mount  
Projector mount brackets: Stellamount

The above mentioned products are in conformity with the following norms harmonized with the directives:

Paweł Zieliński  
Pruszków 2017.01.05

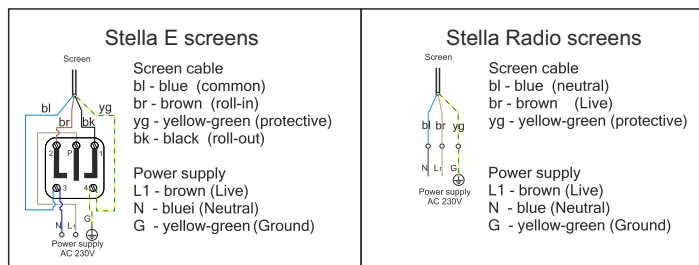
PN-EN 55014-1:2012  
 PN-EN 60335-1:2012  
 PN-EN 61000-3-2:2014  
 PN-EN 61000-3-3:2013  
 PN-EN 60335-2-97:2007

## 2. Check screen box for components

 Complete screen x 1	x 2 x 2 x 2	x 4 x 2 <sup>3*)</sup>
 Screen control unit x 1 <sup>1*)</sup>	 Ceiling bracket for projector x 1 <sup>2*)</sup>	 Operation manual x 1

- 1\*) wall switch for Stella E screens, radio transmitter for Stella Radio only  
2\*) SET bundles only  
3\*) additional spacer to be utilised for screen installation at bellied (not flat) walls/ceilings

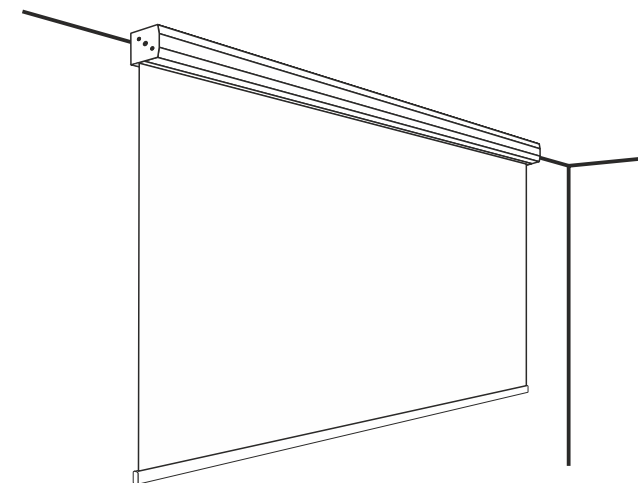
## 3. Electric installation



## 4. Screen installation at the wall or ceiling



## Projection screens Avers Stella



AVERS

SCREENS

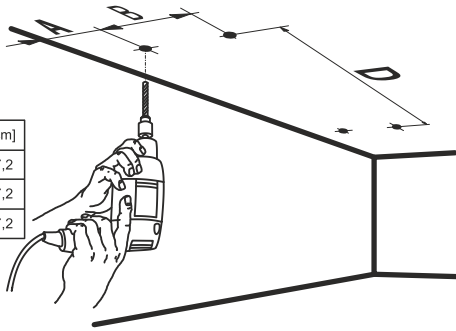
## User's manual

Watch this manual carefully before you begin to use the screen.



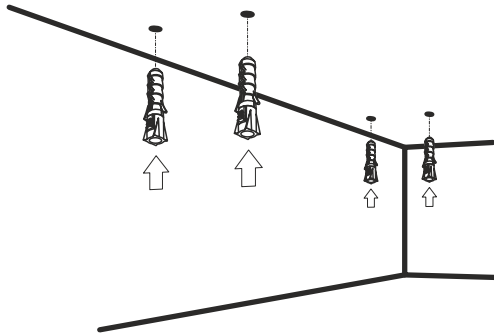
## Screen installation at ceiling

1

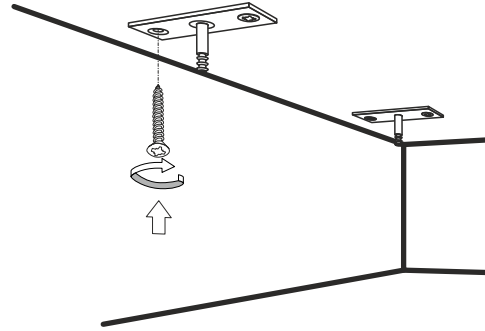


Model	A [mm]	B [mm]	D [cm]
Stella 180	10	55	187,2
Stella 200	10	55	207,2
Stella 240	10	55	247,2

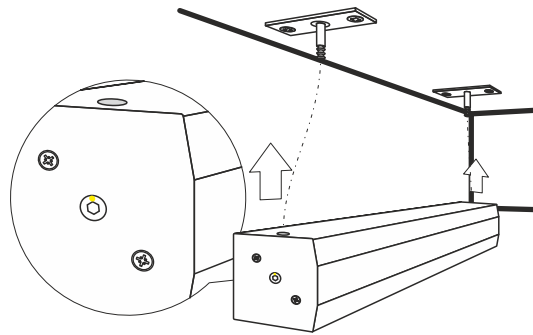
2



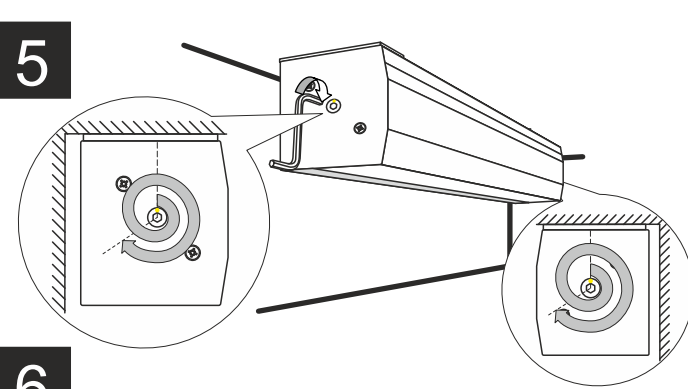
3



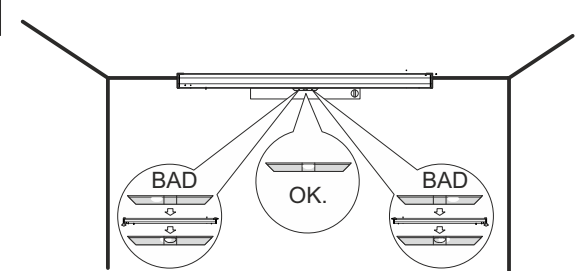
4



5

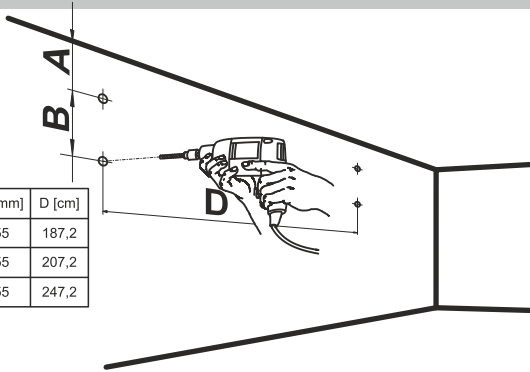


6



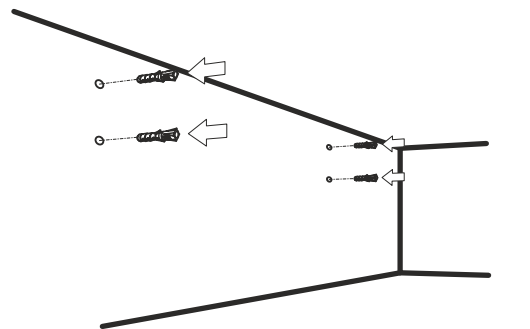
## Screen installation at wall

1

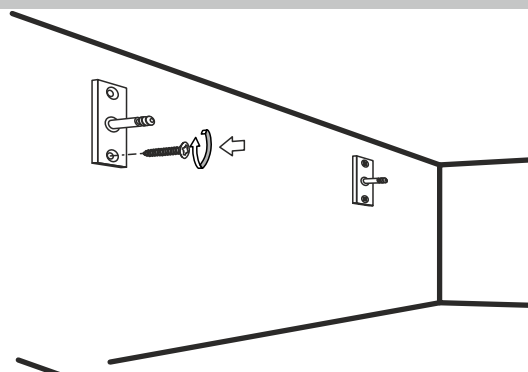


Model	A [mm]	B [mm]	D [cm]
Stella 180	10	55	187,2
Stella 200	10	55	207,2
Stella 240	10	55	247,2

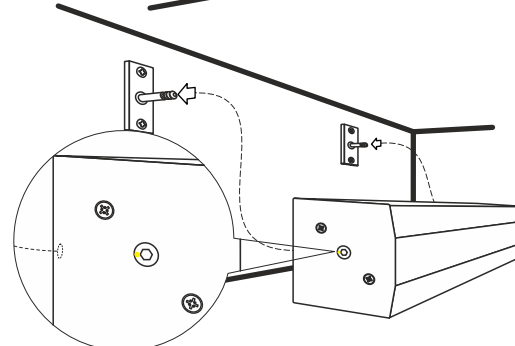
2



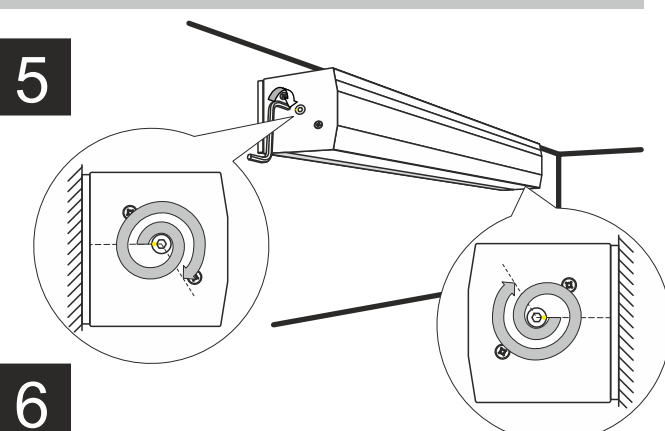
3



4



5



6

