

# TENSIONED ELPRO CONCEPT

**SUGGESTED SPECIFICATIONS**

Electrically operated projection screen 230 volt (50Hz) with a usage of no more than 0.53 Ampere. The motor is mounted on the left side in the steel casing with rubber dampers to reduce sound. The motor is mounted inside the roller, 4 wire, 26 rotations per minute, maintenance free, integrated brake and thermal overload cut-out. The end positions are pre-set, but can be adjusted afterwards. The 4 wire connection is integrated into the end cap and can be connected to the electric installation with the connector and standard cable. Suitable for wall and ceiling mounting with the supplied flexible mounting brackets (50cm). The leaf shaped steel casing (14,6 x 15,4cm) is galvanised on the inside and on the outside powder coated with a matte structure coating (RAL 9016). The white end caps close the casing on both ends. After removing the left end cap an Easy Connectivity plug is accessible for easy connecting of power and accessories. The screen fabrics are flame retardant and seamless in the viewing area. Each side of the surface to have tab guide cable system to maintain even lateral tension and hold surface flat. Custom slat bar with added weight maintains vertical tension on the screen surface. The ends of the slat to be protected by heavy duty plastic caps enclosing a preset adjustable mechanism for screen tensioning. The projection fabrics have a black backing. Standard 3 position wall switch is supplied. The projection screen is CE marked and satisfies the strictest quality and safety requirements.

**SCREEN SURFACES**

All screen fabrics are seamless in the viewing area.  
 Matte White; Gain 1.0, viewing angle 120°, Flame retardant  
 High Contrast Cinema Vision; Gain 1.1, viewing angle 120°, Flame retardant.  
 Pearlescent; Gain 1.5, viewing angle 80°, Flame retardant  
 Da-TeX®; Gain 1.3, viewing angle 60°, Flame retardant

**DIMENSIONS (SELECT ONE OF OUR STANDARD SIZES AND ENTER THE REQUIRED QUANTITY)**

Aspect Ratio	Screen Size	Viewing Size	Nominal Diagonal		Case (RAL 9016)			Weight	Screen Surfaces				Black-drop
	hxw cm	hxw cm	cm	inches	L1 (mm)	L2 (mm)	L3 (mm)	in kg	Matte White	HCCV	Pearl- escent	Da- Tex®	cm
4:3	138x180	127x170	210	83	2131	1565	1937	30					30
	153x200	143x190	238	94	2331	1765	2155	32					30
	168x220	158x210	263	103	2531	1965	2373	34					30
	183x240	173x230	288	113	2731	2165	2537	36					30
	213x280	203x270	338	133	3131	2565	2963	41					30
	228x300	218x290	363	143	3331	2765	3177	43					30
	243x320	233 x 310	388	153	3556	2990	3393	45					30
16:9	258x340	248 x 330	413	163	3776	3210	3609	47					30
	102x180	96x170	193	76	2131	1565	1903	30					30
	117x200	107x190	218	86	2331	1765	2113	32					30
	128x220	118x210	241	95	2531	1965	2325	34					30
	139x240	129x230	264	104	2731	2165	2539	36					30
	162x280	152x270	310	122	3131	2565	2967	41					30
	173x300	163x290	333	131	3331	2765	3181	43					30
2.35:1	184x320	174 x 310	356	140	3556	2990	3397	44					30
	196x340	186 x 330	379	149	3776	3210	3615	46					30
	82x180	72x170	185	73	2131	1565	1883	30					30
	91x200	81x190	207	81	2331	1765	2091	32					30
	99x220	89x210	228	90	2531	1965	2297	34					30
	108x240	98x230	250	98	2731	2165	2505	36					30
	125x280	115x270	293	115	3131	2565	2923	40					30
16:10	133x300	123x290	315	124	3331	2765	3131	42					30
	142x320	132 x 310	337	133	3556	2990	3341	44					30
	150x340	140 x 330	359	141	3776	3210	3551	46					30
	129x200	119x190	224	88	2331	1765	2127	31					30
	141x220	131x210	248	97	2531	1965	2341	34					30
	154x240	144x230	271	107	2731	2165	2515	36					30
	179x280	169x270	318	125	3131	2565	2933	40					30
191x300	181x290	342	135	3331	2765	3145	42					30	
204x320	194 x 310	366	144	3556	2990	3355	45					30	
216x340	206 x 330	389	153	3776	3210	3567	47					30	

## CUSTOM SOLUTIONS

Give exact the sizes of the projection screen you need:

Viewing size: \_\_\_\_\_ Height (cm.) x \_\_\_\_\_ width (cm.) Surface: \_\_\_\_\_

Border top: \_\_\_\_\_ (cm.) Border bottom: \_\_\_\_\_ (cm.)

RAL color case and plastic parts: RAL \_\_\_\_\_

Screen fabric mounted reversely

Motor positioned on right side

Remarks: \_\_\_\_\_

[www.projectascreens.com/screendesigner](http://www.projectascreens.com/screendesigner)

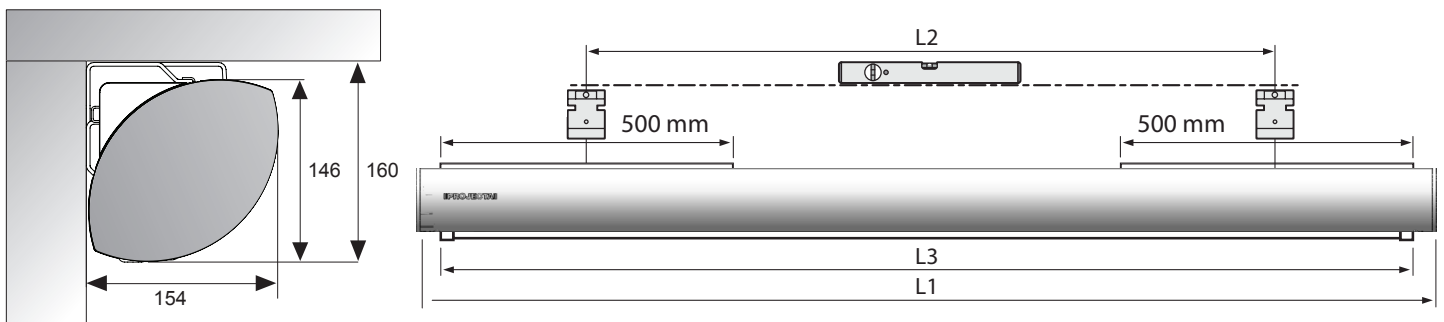
## ACCESSORIES FOR OPERATION

- Easy Install RF remote control (868,3 Mhz)
  - Easy Install wireless projectorcoupling (868,3 Mhz)
  - Easy Install wireless RF wall switch (868,3 Mhz)
- Easy Install RF remote control with projectorcoupling (868,3 Mhz)
- Easy Install projectorcoupling with cable (868,3 Mhz)
- Easy Install IR remote control (868,3 Mhz)
- Easy Install plug & play relaybox with potential free contacts (868,3 Mhz)
  - Easy Install plug & play RS232/RS422 control kit
  - Easy Install plug & play RS232/RS422 with IP control kit
- Keyswitch

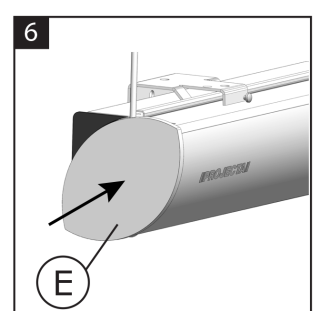
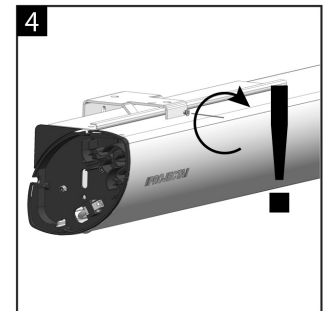
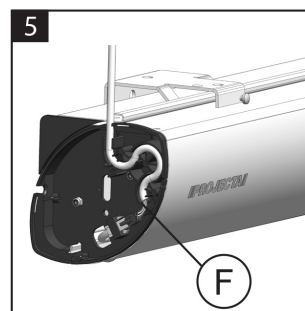
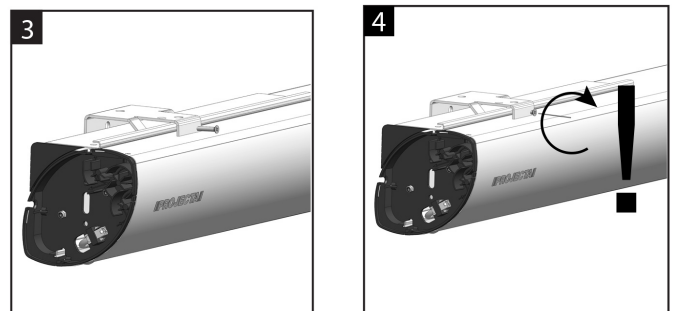
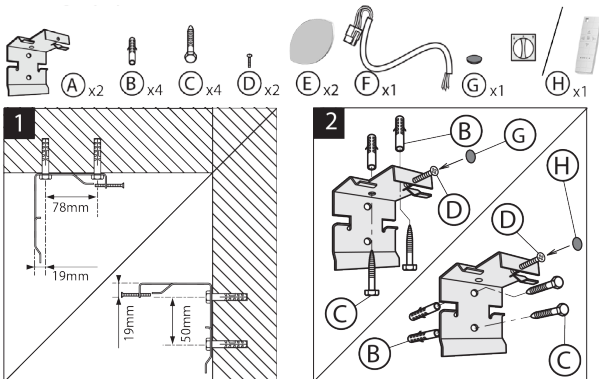
## ACCESSORIES FOR MOUNTING

- Ceiling brackets (100 cm.)
- Set extension brackets (75 cm.)
- Set extension brackets (30 cm.)
- Set extension brackets (10 cm.)
- Set wall clamps
- Bracket kit for easy mounting in soffit

## DIMENSIONS



## INSTALLATION



Project: \_\_\_\_\_

Architect: \_\_\_\_\_

Phone: \_\_\_\_\_

Contractor: \_\_\_\_\_

Phone: \_\_\_\_\_

Supervisor: \_\_\_\_\_

Phone: \_\_\_\_\_

Supplier: \_\_\_\_\_

Date: \_\_\_\_\_

Revised: \_\_\_\_\_

[www.projectascreens.com](http://www.projectascreens.com)

Specifications subject to change.