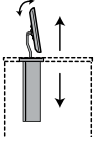


Retrofit

Technology Support Systems

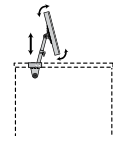
The Trolley™ E-Class or H-Class



Downview - Flat Panel Display



Surface Mount Flat Panel Display



How To Order

1. Select model number

Ex: FPA-0-1818-NK-30 (Flat Panel Arm Kit with 18"x18" view port and Nova keyboard drawer, 30" wide.)

Model Number Structure

TH	-	0	-	0721	-	NK	-	30
Technology Type		Monitor Location		Hole Cut-out Size (D x W)		Keyboard Type		Keyboard Size (Width)
TE - Trolley E-Class TH - Trolley H-Class SMA-Surface Mount Arm		0-Fully-Recessed				NK-Nova keyboard CK-Center mount keyboard XK-No keyboard		

FPA	-	0	-	1818	-	NK	-	30
Technology Type		Monitor Location		View port Size (D x W)		Keyboard Type		Keyboard Size (Width)
FPA-Flat Panel Arm		0-Fully-Recessed				NK-Nova keyboard AK-Adjustable keyboard XK-No keyboard		

Technology Description

The Trolley™ Personal Monitor Arm System

Maximum dimensions for flat panel display:

E-Class: 2¾" D x 18½" W x 14" H (70mm D x 470mm W x 356mm H)

H-Class: 2¾" D x 16¼" W x 14" H (70mm D x 413mm W x 356mm H)

NOTE: Maximum distance from center of wall mount VESA plate to bottom of monitor is 6 ¾" (171mm)

- Provides flexible, mainstream flat screen location when raised
- Low voltage motor to lift and lower monitor
- Intelligent Motion Technology™ provides operational intuition
- Clears line-of-sight when submerged
- Allows for multi-use workstations and classrooms
- Keyed lock provides added security and control in any environment
- Hides confidential information when necessary
- Reduces the risk of damage to flat panels displays
- Creates a clean, uncluttered look in the classroom or office
- Reduces the risk of damage to computer equipment
- Provides clean, ergonomical solutions
- Manage technology in your workspace environment

Downview - Flat Panel Display

Maximum dimensions for flat panel display —

Standard size monitor: 17"W x 18"H (432mm W x 457.2mm H)

Oversized monitor: 20-1/8" W x 19" H (511mm x 482mm)

- Keeps monitor under glass below work surface
- Allows for multi-use working and learning environments
- Proven to be ergonomically beneficial, increase productivity
- Saves premium classroom and desktop space
- Hides confidential information
- Creates a clean, uncluttered look in the classroom or office
- Reduces the risk of damage to computer equipment

Surface Mount Flat Panel Display

Maximum weight for flat panel display: 21 lbs.

Maximum dimensions for flat panel display: Up to 24" diagonal wide screen

- Allows for multi-use working and learning environments
- Proven to be ergonomically beneficial, increase productivity
- Saves premium classroom and desktop space
- Creates a clean, uncluttered look in the classroom or office
- Reduces the risk of damage to computer equipment
- Height and tilt adjustable

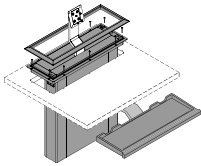
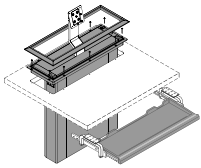
To order, specify:
1. Model number

The Trolley E-Class for Flat Panel Displays up to 21"

For flat panel displays that have a VESA standard attachment method on the back.
NOTE: Maximum distance from center of wall mount VESA plate to bottom of monitor is 6¾" (171mm).

- Maximum dimensions for flat panel display: 2¾" D x 18½" W x 14" H (70mm D x 470mm W x 356mm H)
- Minimum 28" work surface height required.
- Minimum 24" depth of clearance underneath work surface.
- Weight of flat panel display cannot exceed 21 lbs.
- Fits most displays up to 21" diagonal

The Trolley E-Class



Min. Clearance (Width)	Ft3 / Wt.	Model	List Price
With Nova keyboard drawer.			
22" wide	4.7 / 43	TE-0-0724-NK-22	\$1,290
25-7/8" wide	4.8 / 44	TE-0-0724-NK-24	\$1,290
28-5/8" wide	4.9 / 45	TE-0-0724-NK-27	\$1,290
29-1/2" wide	4.9 / 45	TE-0-0724-NK-28	\$1,290
31-5/8" wide	5.0 / 46	TE-0-0724-NK-30	\$1,290
34-5/8" wide	5.2 / 47	TE-0-0724-NK-33	\$1,290
35-1/2" wide	5.2 / 48	TE-0-0724-NK-34	\$1,290
With Center Mount Articulating keyboard drawer.			
28"	5.3 / 47	TE-0-0724-CK-28	\$1,460
30"	5.4 / 47	TE-0-0724-CK-30	\$1,460
34"	5.7 / 47	TE-0-0724-CK-34	\$1,460
Without keyboard drawer			
19"	3.7 / 32	TE-0-0724-XK	\$1,215
Box size: 11"D x 26" W x 26"H			

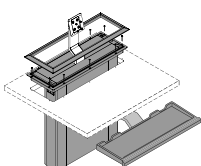
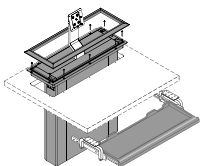
International Customers: E-Class units include Universal Power Control Units, compatible with all power requirements inside and outside the U.S.

The Trolley H-Class for Flat Panel Displays 15"-19"

For flat panel displays that have a VESA standard attachment method on the back.
NOTE: Maximum distance from center of wall mount VESA plate to bottom of monitor is 6¾" (171mm).

- Maximum dimensions for flat panel display: 2¾" D x 16¼" W x 14" H (70mm D x 413mm W x 356mm H)
- Minimum 28" work surface height required.
- Minimum 24" depth of clearance underneath work surface.
- Weight of flat panel display cannot exceed 21 lbs.
- Fits most displays up to 19" diagonal

The Trolley H-Class



Min. Clearance (Width)	Ft3 / Wt.	Model	List Price
With Nova keyboard drawer.			
22" wide	4.4 / 43	TH-0-0721-NK-22	\$850
25-7/8" wide	4.5 / 44	TH-0-0721-NK-24	\$850
28-5/8" wide	4.6 / 45	TH-0-0721-NK-27	\$850
29-1/2" wide	4.6 / 45	TH-0-0721-NK-28	\$850
31-5/8" wide	4.7 / 46	TH-0-0721-NK-30	\$850
34-5/8" wide	4.9 / 47	TH-0-0721-NK-33	\$850
35-1/2" wide	4.9 / 48	TH-0-0721-NK-34	\$850
With Center Mount Articulating keyboard drawer.			
28"	5.0 / 47	TH-0-0721-CK-28	\$1,020
30"	5.2 / 47	TH-0-0721-CK-30	\$1,020
34"	5.4 / 47	TH-0-0721-CK-34	\$1,020
Without keyboard drawer			
19"	3.4 / 32	TH-0-0721-XK	\$775
Box size: 10"D x 24" W x 25"H			

International Customers: H-Class units include Universal Power Control Units, compatible with all power requirements inside and outside the U.S.

Downview - Flat Panel Display For Standard Size Flat Panel Displays

For flat panel displays with VESA standard attachment method on the back.

- Maximum dimensions for flat panel display: 17" W x 18" H (432mm x 467mm) (Dimensions do not include display base)
- Weight of flat panel display cannot exceed 21 lbs.
- Minimum 28" work surface height required.
- Minimum 24" depth of clearance underneath work surface.

Min. Clearance (Width)	Ft3 / Wt.	Model	List Price
Downview - Flat Panel Display			
Kit includes: glass, visor, trim ring, Nova keyboard drawer with hangers, and adjustable arm.			
18" W x 18" D view port			
With Nova keyboard drawer			
22" wide	3.4 / 26	FPA-0-1818-NK-22	\$490
25-7/8" wide	3.4 / 27	FPA-0-1818-NK-24	\$490
28-5/8" wide	3.4 / 27	FPA-0-1818-NK-27	\$490
29-1/2" wide	3.4 / 27	FPA-0-1818-NK-28	\$490
31-5/8" wide	4.7 / 34	FPA-0-1818-NK-30	\$490
34-5/8" wide	4.9 / 35	FPA-0-1818-NK-33	\$490
35-1/2" wide	4.9 / 35	FPA-0-1818-NK-34	\$490
<i>Arm can be adjusted to fit fully or semi-recessed positions.</i>			
18" W x 18" D view port			
With Dual Mount Adjustable keyboard drawer			
24¼" wide	4.9 / 28	FPA-0-1818-AK-24	\$735
26¾" wide	5.0 / 28	FPA-0-1818-AK-27	\$735
27½" wide	5.1 / 28	FPA-0-1818-AK-28	\$735
31¾" wide	5.3 / 35	FPA-0-1818-AK-32	\$735
32¾" wide	5.4 / 36	FPA-0-1818-AK-33	\$735
33½" wide	5.4 / 36	FPA-0-1818-AK-34	\$735
Without keyboard drawer			
19"	3.4 / 18	FPA-0-1818-XK	\$415

Downview - Flat Panel Display For Oversized Flat Panel Displays

For flat panel displays with a VESA standard attachment method on the back.

- Maximum dimensions for flat panel display: 20-1/8" W x 19" H (511mm x 482mm) (Dimensions do not include display base)
- Weight of flat panel display cannot exceed 21 lbs.
- Minimum 28" work surface height required.
- Minimum 27-1/4" depth of clearance underneath work surface.

Min. Clearance (Width)	Ft3 / Wt.	Model	List Price
Downview - Flat Panel Display			
Kit includes: glass, visor, trim ring, keyboard drawer with hangers, and adjustable arm.			
21" W x 21" D view port			
With Nova keyboard drawer			
25-7/8" wide	3.4 / 28	FPA-0-2121-NK-24	\$550
28-5/8" wide	3.4 / 29	FPA-0-2121-NK-27	\$550
29-1/2" wide	3.4 / 29	FPA-0-2121-NK-28	\$550
31-5/8" wide	4.8 / 32	FPA-0-2121-NK-30	\$550
34-5/8" wide	4.9 / 33	FPA-0-2121-NK-33	\$550
35-1/2" wide	4.9 / 33	FPA-0-2121-NK-34	\$550
<i>Arm can be adjusted to fit fully or semi-recessed positions.</i>			
21" W x 21" D view port			
With Dual Mount Adjustable keyboard drawer			
24¼" wide	4.9 / 30	FPA-0-2121-AK-24	\$795
26¾" wide	5.0 / 31	FPA-0-2121-AK-27	\$795
27½" wide	5.1 / 31	FPA-0-2121-AK-28	\$795
31¾" wide	5.3 / 35	FPA-0-2121-AK-32	\$795
32¾" wide	5.4 / 35	FPA-0-2121-AK-33	\$795
33½" wide	5.4 / 35	FPA-0-2121-AK-34	\$795
Without keyboard drawer			
22"	3.4 / 20	FPA-0-2121-XK	\$475

To order, specify:
1. Model number

The Trolley E-Class / Components and Dimensions

- Minimum work surface depth: 24"
- Minimum kneespace width: 25"
- Work surface footprint: 24-1/2" W x 8 1/2" D
- Maximum dimensions for flat panel display:
2 3/4" D x 18.5" W x 14" H
(70mm x 470mm x 356mm)
- Fits most monitors up to 21" (diagonal)

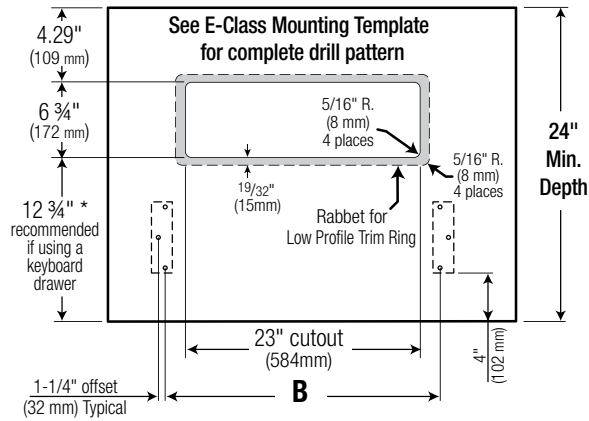
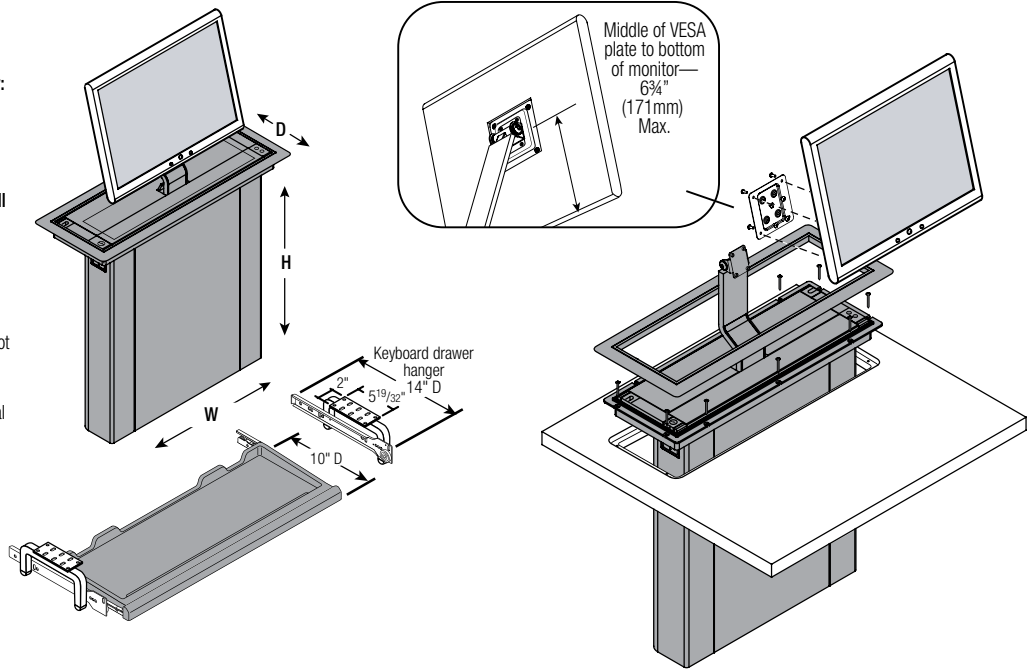
NOTE: Maximum distance from center of wall mount VESA plate to bottom of monitor is 6 3/4" (171mm)

TROLLEY E-CLASS

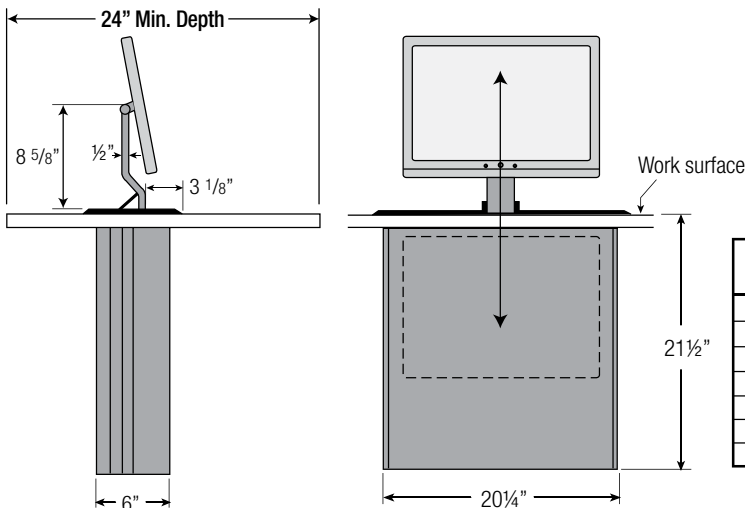
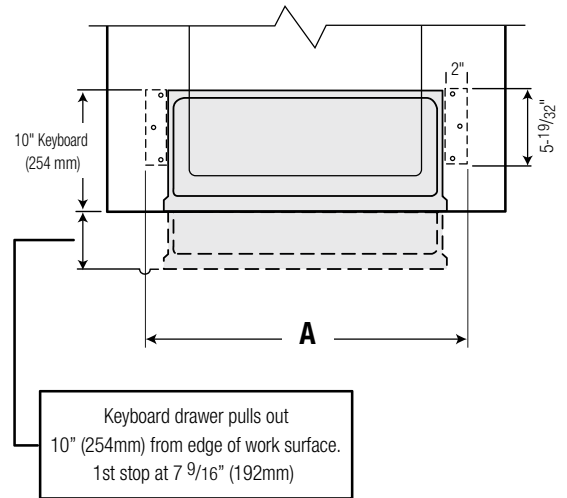
Low voltage electrical motor to lift and lower monitor. Display submerges into desktop when not in use. Intelligent Motion Technology™ provides operational intuition. Tamper guard security hardware. Locking access doors. Provides vertical tilt adjustment in "up" position. Access doors automatically open and close.

KEYBOARD DRAWER

Textured black thermoformed ABS keyboard drawer features soft radius edges. Five positive inward and outward stop locations. Outward locking tabs prevent accidental removal of keyboard drawer.



* Note: If using a 22" width keyboard tray, Trolley must be set back a minimum of 15".



Keyboard size	Dimension A Min. Kneespace Width	Dimension B Keyboard drill pattern
22"	22" (559 mm)	18 13/16" (478 mm)
24"	25 7/8" (657 mm)	22 19/32" (574 mm)
27"	28 5/8" (727 mm)	25 5/16" (643 mm)
28"	29 1/2" (749 mm)	26 1/8" (663 mm)
30"	31 5/8" (803 mm)	28 1/16" (712 mm)
33"	34 5/8" (879 mm)	31 1/4" (793 mm)
34"	35 1/2" (902 mm)	32 1/8" (815 mm)

Dimensions are for underneath side of worksurface. Product specifications are subject to change without notice. Dimensions are nominal.

Retrofit

The Trolley H-Class / Components and Dimensions

- Minimum work surface depth: 24"
- Minimum kneespace width: 25"
- Work surface footprint: 22" W x 8½" D
- Maximum dimensions for flat panel display:
2¾" D x 16¼" W x 14" H
(70mm D x 413mm W x 356mm H)
- Fits most monitors up to 19" diagonal

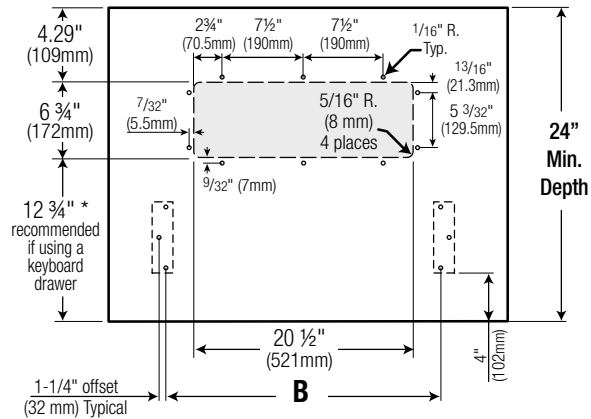
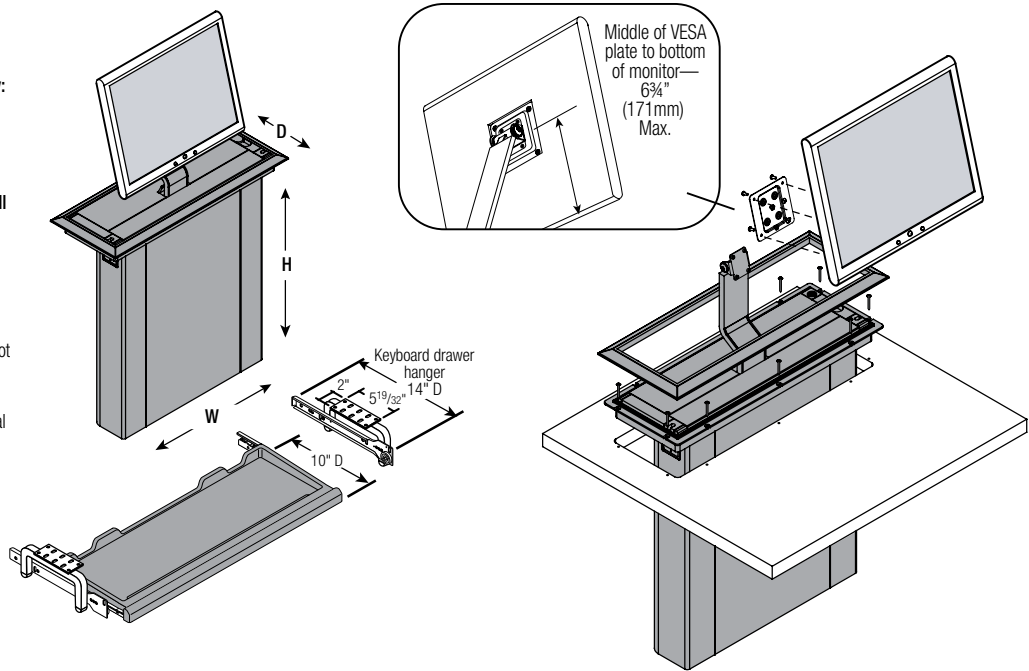
NOTE: Maximum distance from center of wall mount VESA plate to bottom of monitor is 6¾" (171mm)

TROLLEY H-CLASS

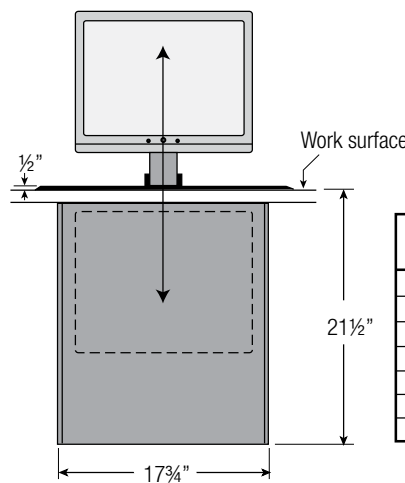
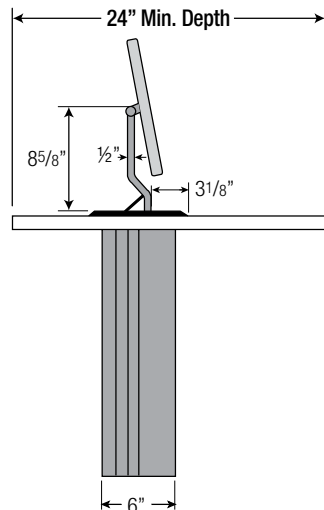
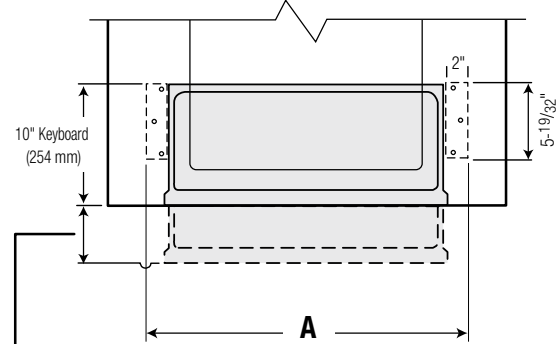
Low voltage electrical motor to lift and lower monitor. Display submerges into desktop when not in use. Intelligent Motion Technology™ provides operational intuition. Tamper guard security hardware. Locking access doors. Provides vertical tilt adjustment in "up" position.

KEYBOARD DRAWER

Textured black thermoformed ABS keyboard drawer features soft radius edges. Five positive inward and outward stop locations. Outward locking tabs prevent accidental removal of keyboard drawer.



* Note: If using a 22" width keyboard tray, Trolley must be set back a minimum of 15".



Keyboard size	Dimension A Min. Kneespace Width	Dimension B Keyboard drill pattern
22"	22" (559 mm)	18 ¹³ / ₁₆ " (478 mm)
24"	25 ⁷ / ₈ " (657 mm)	22 ¹⁹ / ₃₂ " (574 mm)
27"	28 ⁵ / ₈ " (727 mm)	25 ⁵ / ₁₆ " (643 mm)
28"	29½" (749 mm)	26 ¹ / ₈ " (663 mm)
30"	31 ⁵ / ₈ " (803 mm)	28 ¹ / ₁₆ " (712 mm)
33"	34 ⁵ / ₈ " (879 mm)	31¼" (793 mm)
34"	35½" (902 mm)	32 ¹ / ₈ " (815 mm)

Dimensions are for underneath side of worksurface. Product specifications are subject to change without notice. Dimensions are nominal.